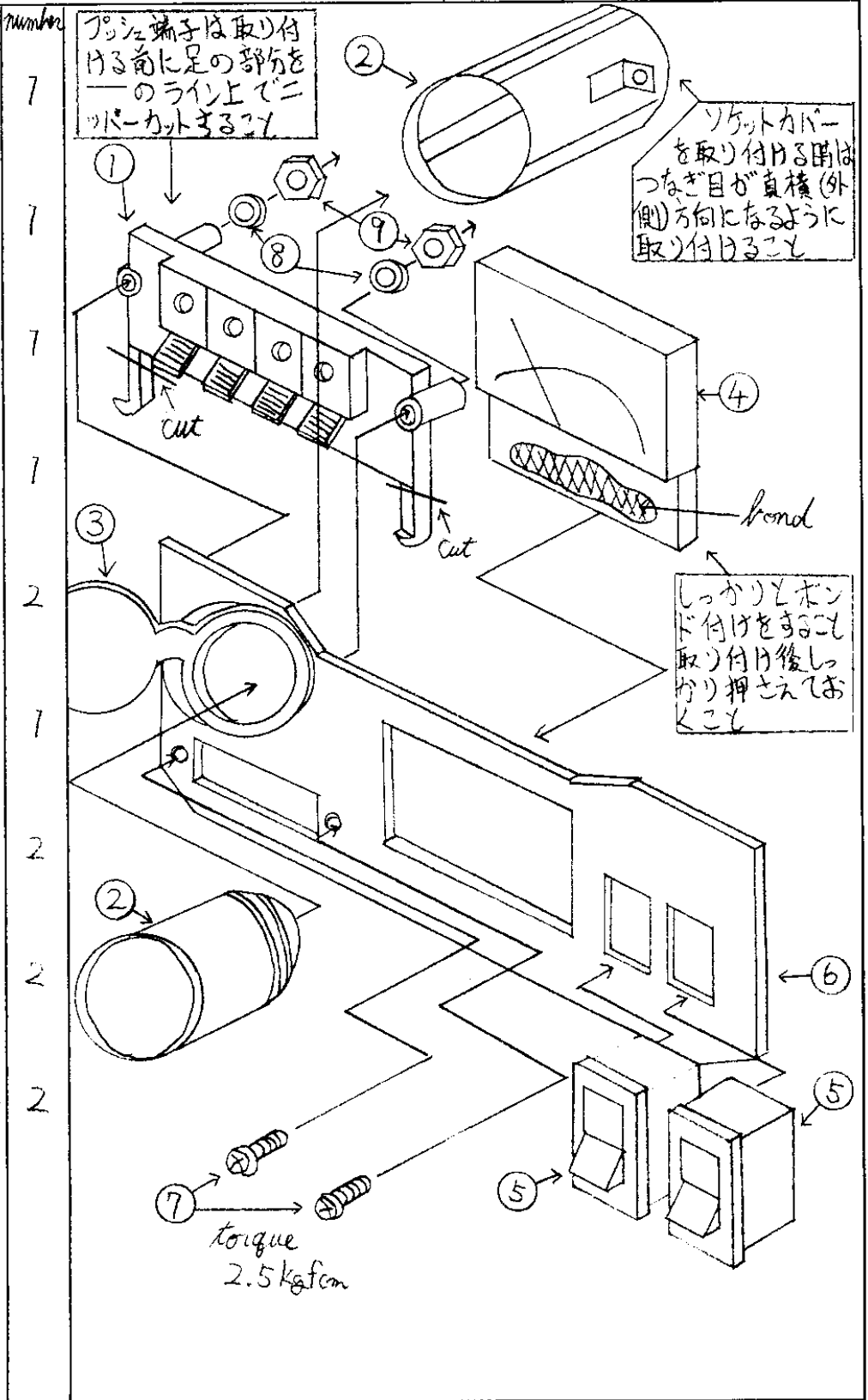


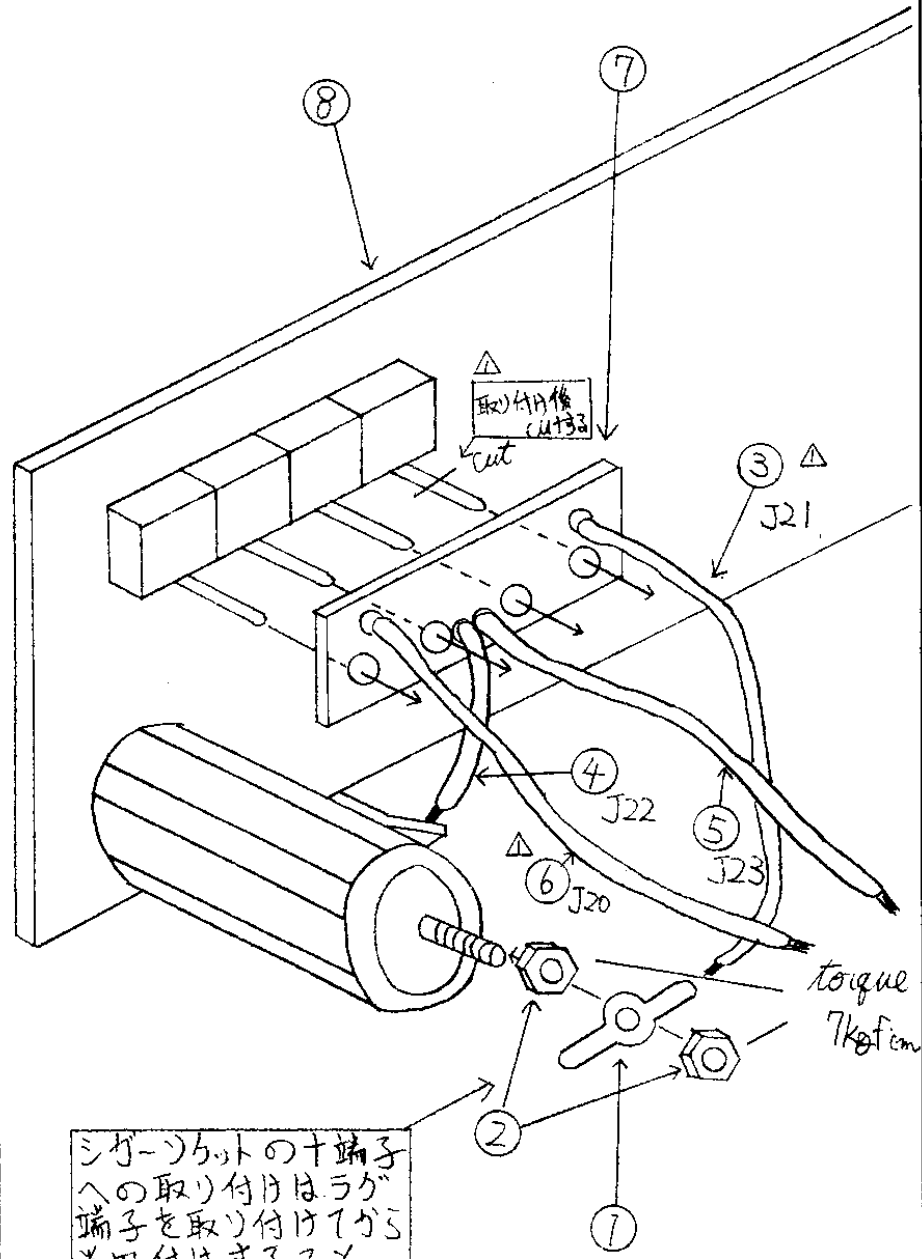
# Front Panel の組み立て

- ① push terminal  
CJ-9012  
(UT0047)      7
- ② cigar socket  
YE2113  
(UY0006)      7
- ③ socket cover  
(accessories②)      7
- ④ meter  
(EM0038)      7
- ⑤ switch  
MSR-5-2X#0  
(UG0026)      2
- ⑥ front panel 330  
(KM0247)      1
- ⑦ screw  
M2.3+1637BC  
(AA0073Y)      2
- ⑧ washer  
M2.3 7ツクロメ+  
(AZ0036Y)      2
- ⑨ nut  
M2.3 7ツクロメ+  
(AN0028Y)      2



Cigar terminal Push terminal の組み立て.

- | number |                             |
|--------|-----------------------------|
| ①      | terminal A-5 (AT0003) 7     |
| ②      | nut (accessories ①) 2       |
| ③      | wire red J21 (MRBD07DD) 7   |
| ④      | wire black J22 (MBBD07DD) 7 |
| ⑤      | wire black J23 (MBBD22DD) 7 |
| ⑥      | wire red J20 (MRBD22DD) 7   |
| ⑦      | board 7                     |
| ⑧      | front panel 7               |



# Rear Panel の組み立て

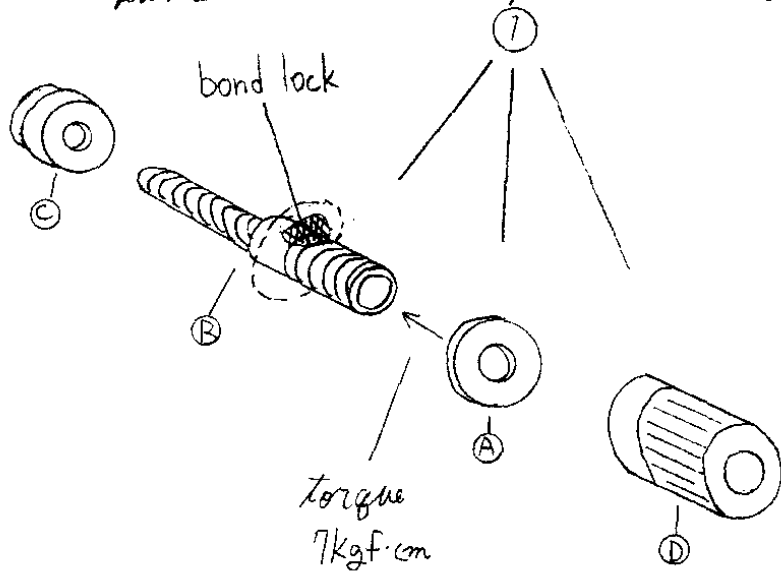
number	number	number
① DM330MV, DM330MVT Rear Panel 330 (KB0075A) 1	⑭ DM330MVT, DM330MVZ Cable stopper SR4K1 (FB0017) 1	⑯ DM330MVZ Cable PHP203 (UA0071) 1
② 2crew M3+16J <sup>11</sup> )BC (AW007Y) 3	⑮ DM330MVT Cable PHP201 (UA0070) 1	⑰ DM330MVZ rear panel (KB0078) 1
③ 2crew M3+20J <sup>11</sup> )BC (AW0008) 1		
④ terminal A-5 (AT0003) 1		
⑤ nut XNG3A (AN0010) 1		
⑥ ring (accessories) ⑨ 1		
⑦ nut (accessories) ⑨ 1		
⑧ DM330MV Cable stopper SR4N4 (FB0002) 1		
⑨ fuse holder CQ-207H (UH0020) 1		
⑩ DM330MV Cable TA27B 2A+25V (UA0069) 1		
⑪ DM330MV, DM330MVT fuse FGB0 8A (EF0001) 1		
⑫ fan D4010S24H (ET0010) 1		
⑬ DM330MVZ fuse FGB0 250V 4A (EF0019) 1		

# Terminal の準備

- ① terminal  
YE-2305-1R  
(UT0048)
- YE-2305-1B  
(UT0049)

number

1. AをBにしっかりと取り付ける  
*screw tightly A to B.*
2. A, B, Cが固定されるようボンドDのりを塗る。  
*bond A and B together*
3. Cを取り付ける。  
*then include C in the bonding of A and B.*
4. ボンドが外にはみだしてないが確認する。  
*clean the excess bond outside the bonded area.*
5. Dを取り付ける (ボンドがはみださず確認する)  
*put D (don't too much bond on the bonded area so as to prevent over bond)*



ターミナル取り付けるリング台座を  
しっかりと締めつけておくこと

# Terminal の取り付け

ALL PAGE

JOB

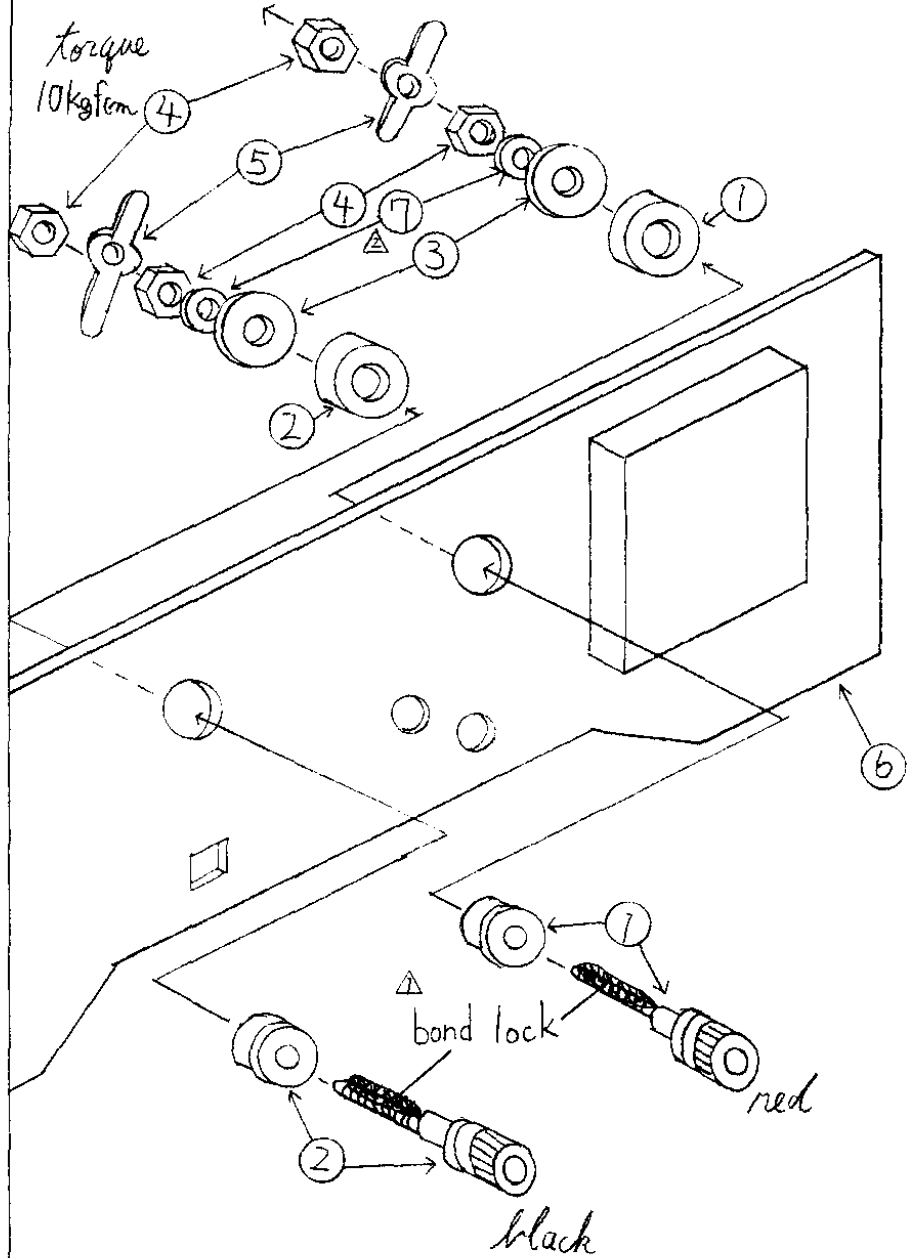
PAGE

機種

DM330MV

6 / 19

- | number |                                    |
|--------|------------------------------------|
| ①      | terminal<br>YE-2305-1R<br>(UT0048) |
| ②      | terminal<br>YE-2305-1B<br>(UT0049) |
| ③      | washer<br>(accessories ①,②)        |
| ④      | nut<br>(accessories ①,②)           |
| ⑤      | terminal A-5<br>(AT0003)           |
| ⑥      | rear panel                         |
| △<br>⑦ | washer<br>XWG4FN<br>(AZ0017)       |



Capacitor and Terminal の取り付

ALL PAGE

JOB

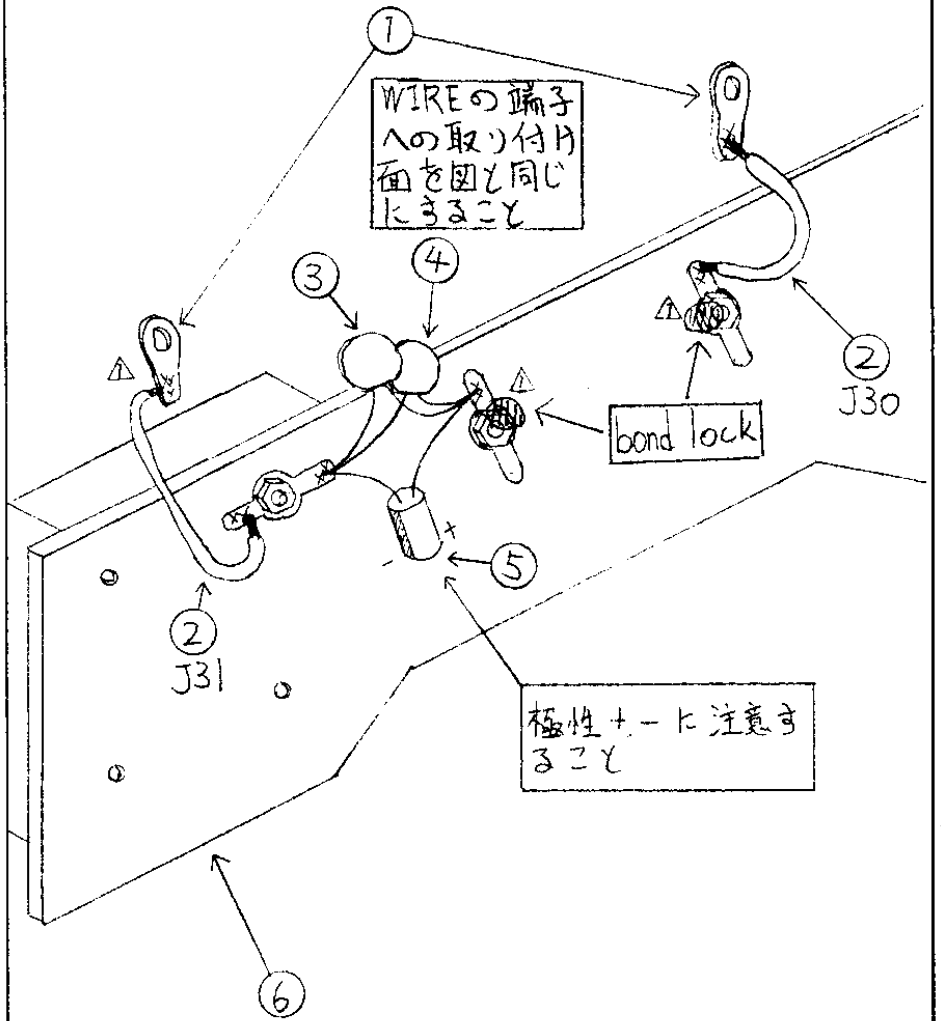
PAGE

機種

DM330MV

7 / 19

- |   | number |
|---|--------|
| ① terminal<br>(accessories<br>UT0048, UT0049) | 2      |
| ② wire black<br>J30, J31<br>(MBBD04CC)        | 2      |
| ③ capacitor 0.01<br>(CK0002)                  | 1      |
| ④ capacitor 0.1<br>(CK0005)                   | 1      |
| ⑤ capacitor 220/35V<br>(CE0019)               | 1      |
| ⑥ rear panel                                  | 1      |



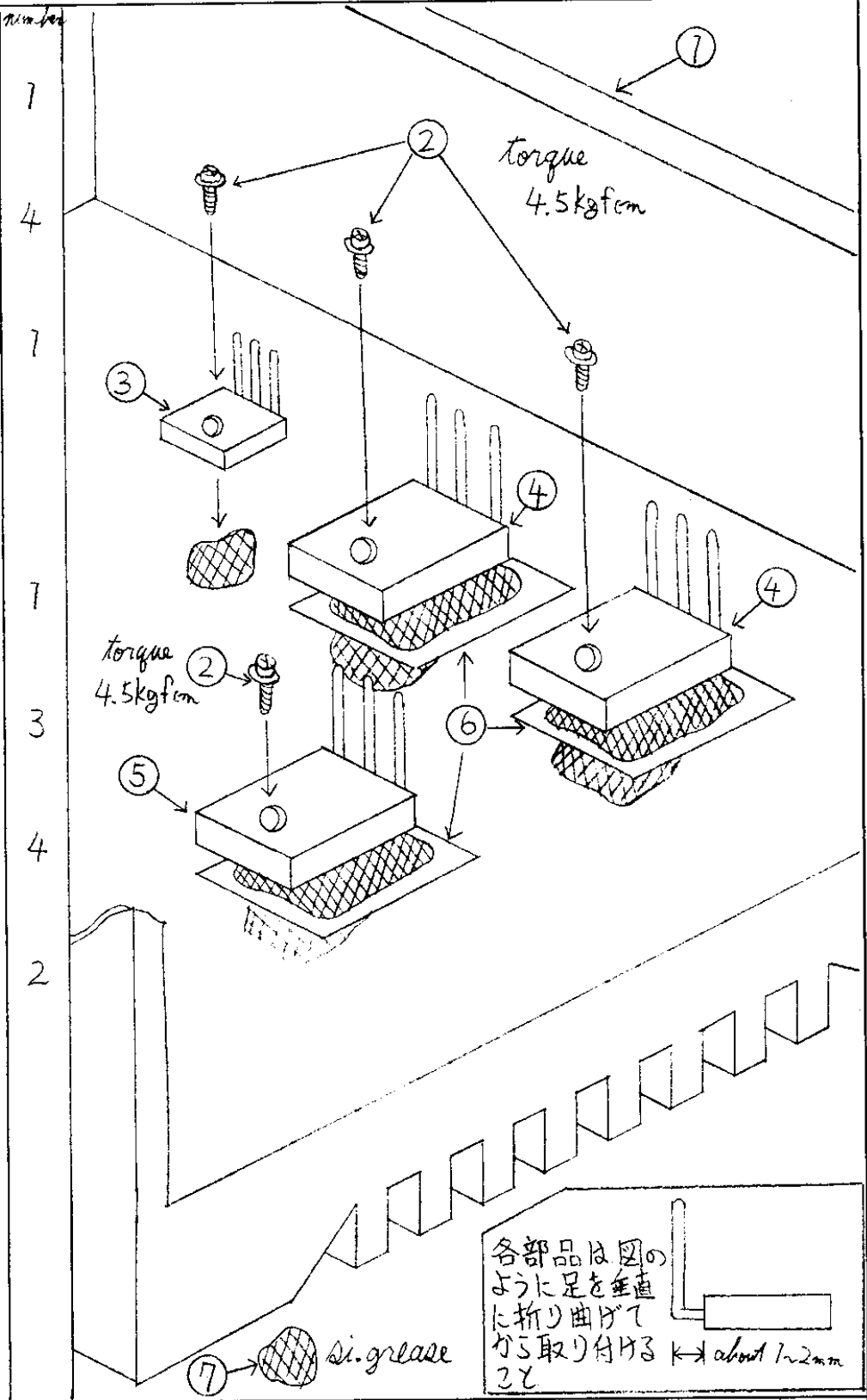
Transistor and Diode の取り付け

機種

DM330MV

8 / 19

- ① case  
ウイブス 330MV
- ② screw  
(KU0128A)  
△ M2.6+103<sup>1</sup>)BC  
(AB0024Y)
- ③ transistor  
2SC5353  
(XT0177)
- ⑤ diode  
U30D20C  
(XD0333)
- ⑥ sheet 330MV  
(TZ0077)
- ⑦ Si. grease g746  
1gram  
(YZ0001)
- ④ transistor  
△ 2SC4157  
(XT0179)



各部品は図の  
ように足を垂直  
に折り曲げて  
から取り付ける ← about 1-2mm  
ほど

# Board の取り付け

- ① screw XYN26+C8 (AB0007)
- ② board
- ③ upside case
- ④ TH4

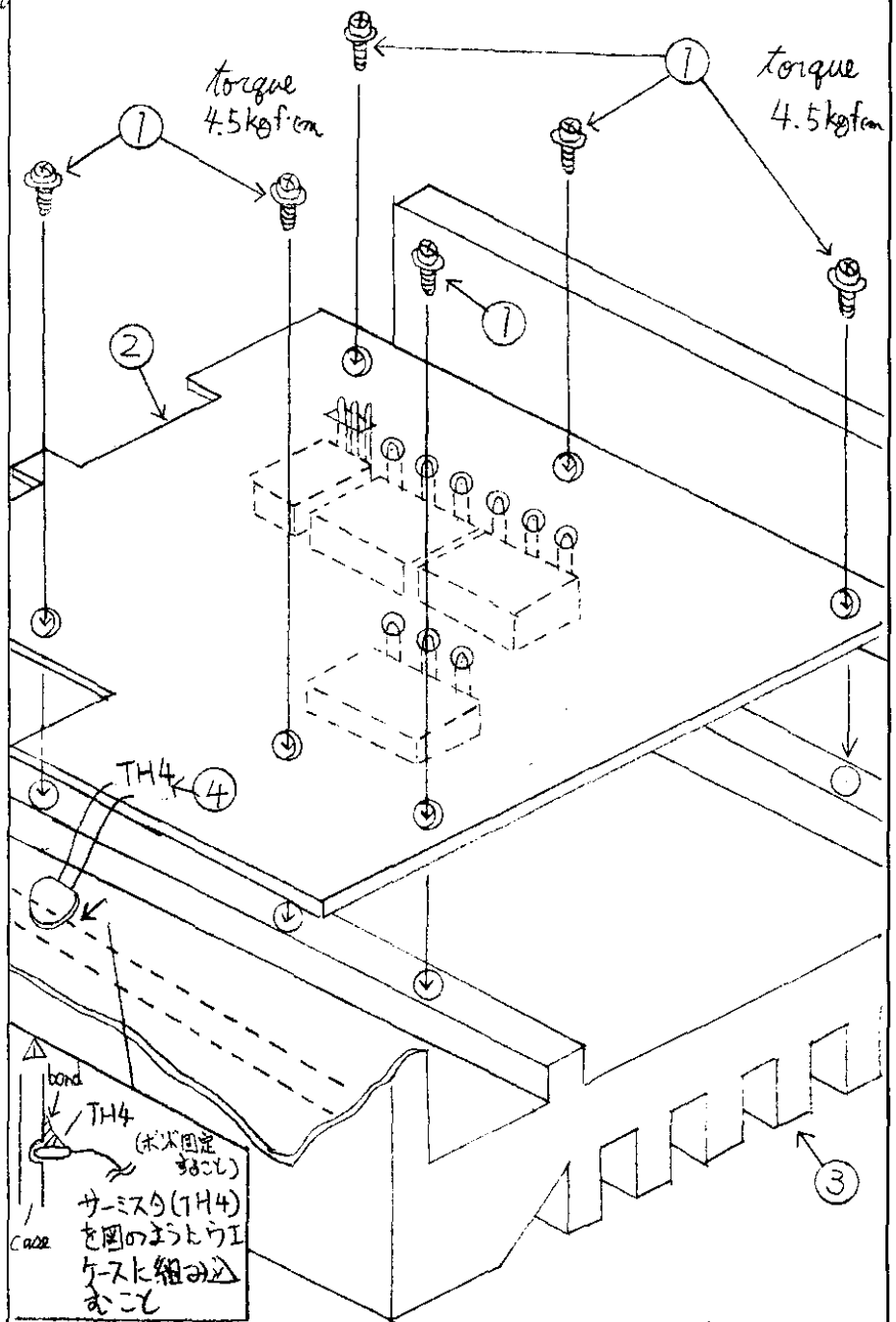
number

6

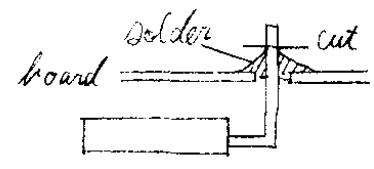
7

7

7



各商品の足が基板の穴から出て来るように取り付け。基板をビスで固定した後しっかりと半田付けすること。半田付け後、余部分足はニッパーカットすること。





Front side への Wire の取り付け

① front panel

number

1

△ ② wire green  
J1,  
(MGAJ22CC)

1

③ wire black  
J15  
(MBAJ22CC)

1

④ board

1

△ ⑤ wire white  
J2  
(MWAJ22CC)

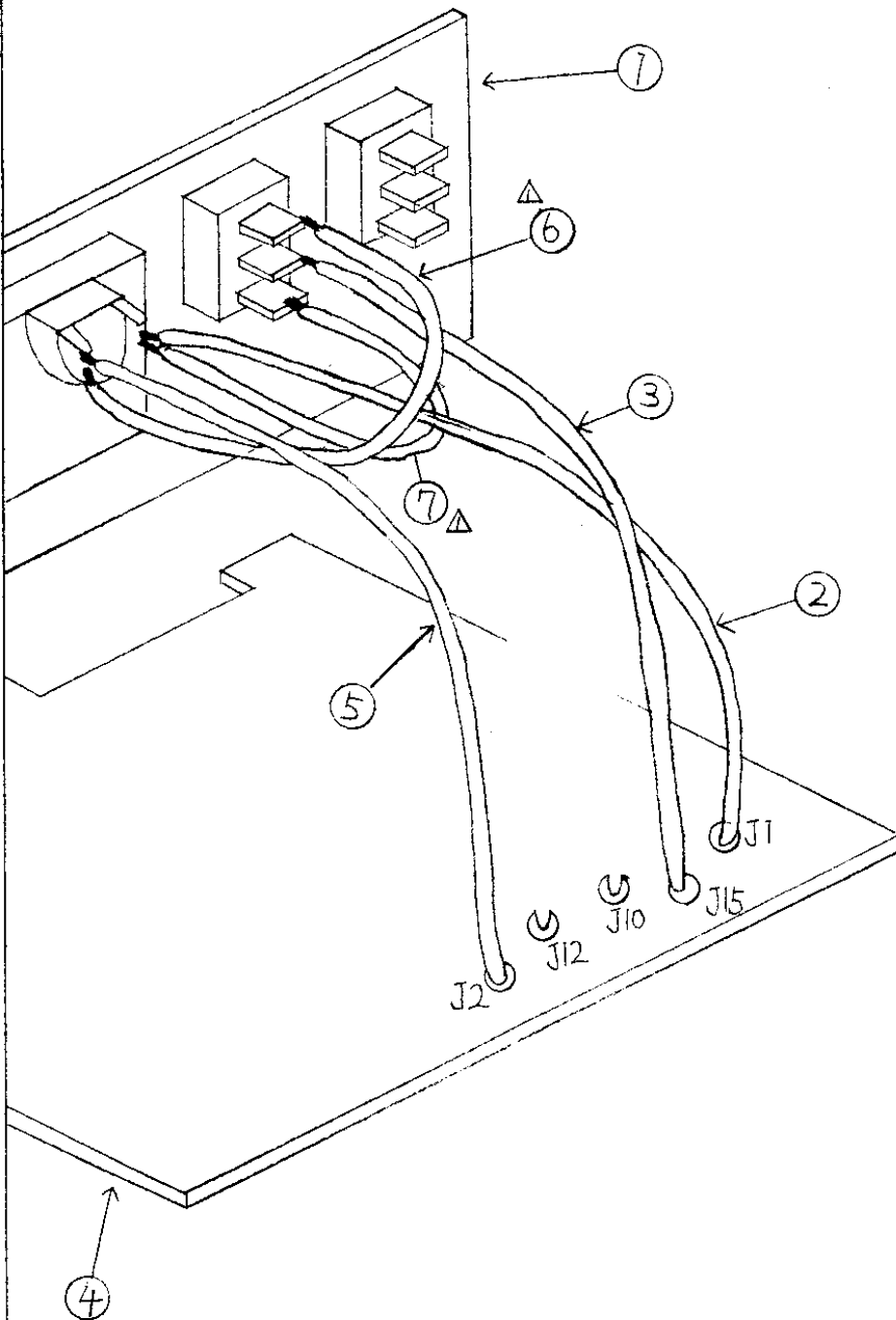
1

△ ⑥ wire yellow  
J12  
(MYAJ07CC)

1

⑦ wire red  
J10  
(MRAJ07CC)

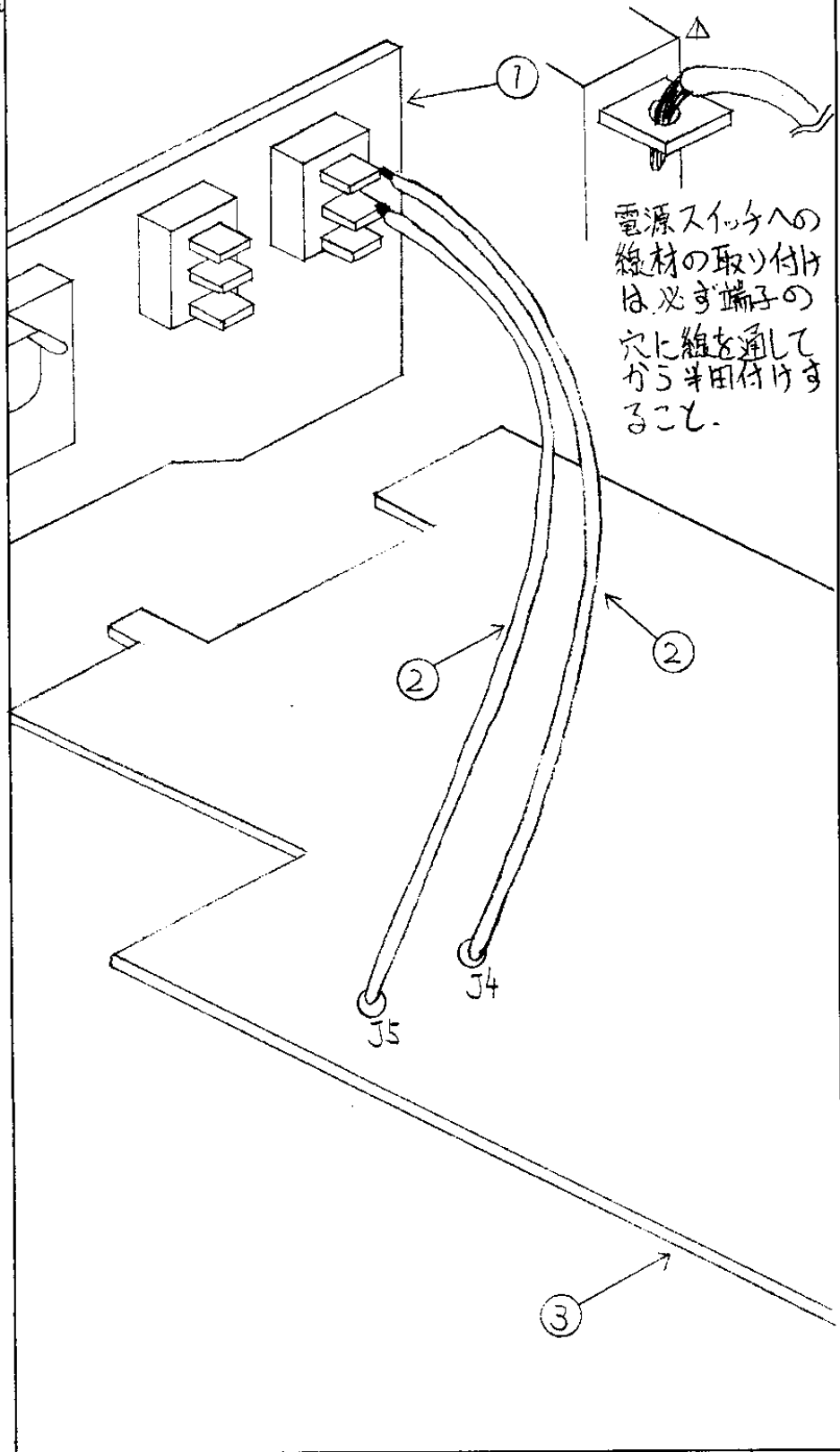
1



Front side への Wire の取り付け

- ① front panel
- ② wire red  
J4, J5  
(MRBD22DD)
- ③ board

number  
7  
2  
7

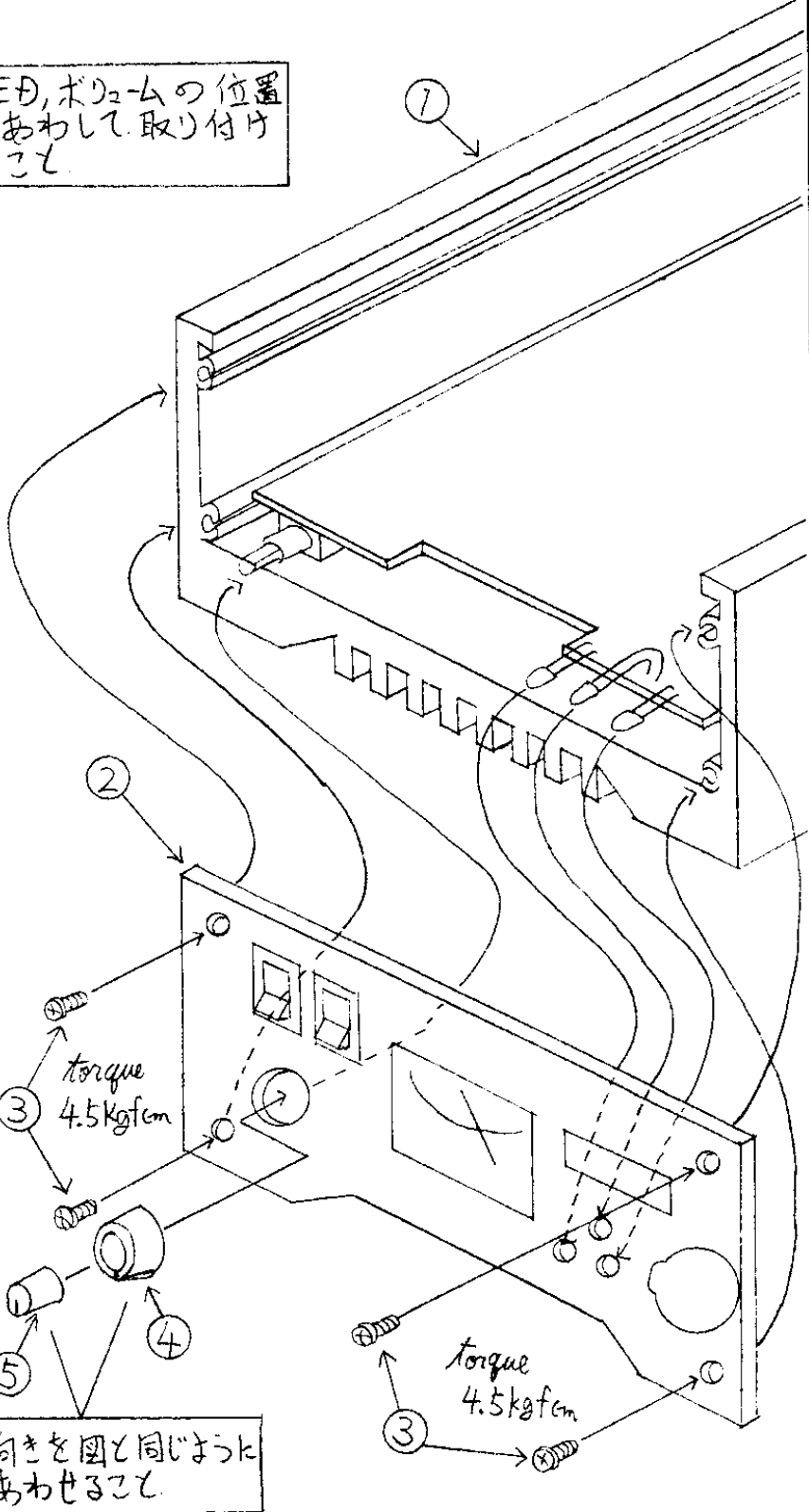


電源スイッチへの  
線材の取り付け  
は必ず端子の  
穴に線を通して  
から半田付けす  
ること。

# Front Panel の取り付け

- | number |                                    |
|--------|------------------------------------|
| ①      | upside case                        |
| ②      | front panel                        |
| ③      | screw<br>△ M3+6 50BC<br>(AA0018Y)  |
| ④      | knob<br>SQL 22.5 XM601<br>(NK0043) |
| ⑤      | knob<br>VOL 22.5 XM601<br>(NK0044) |

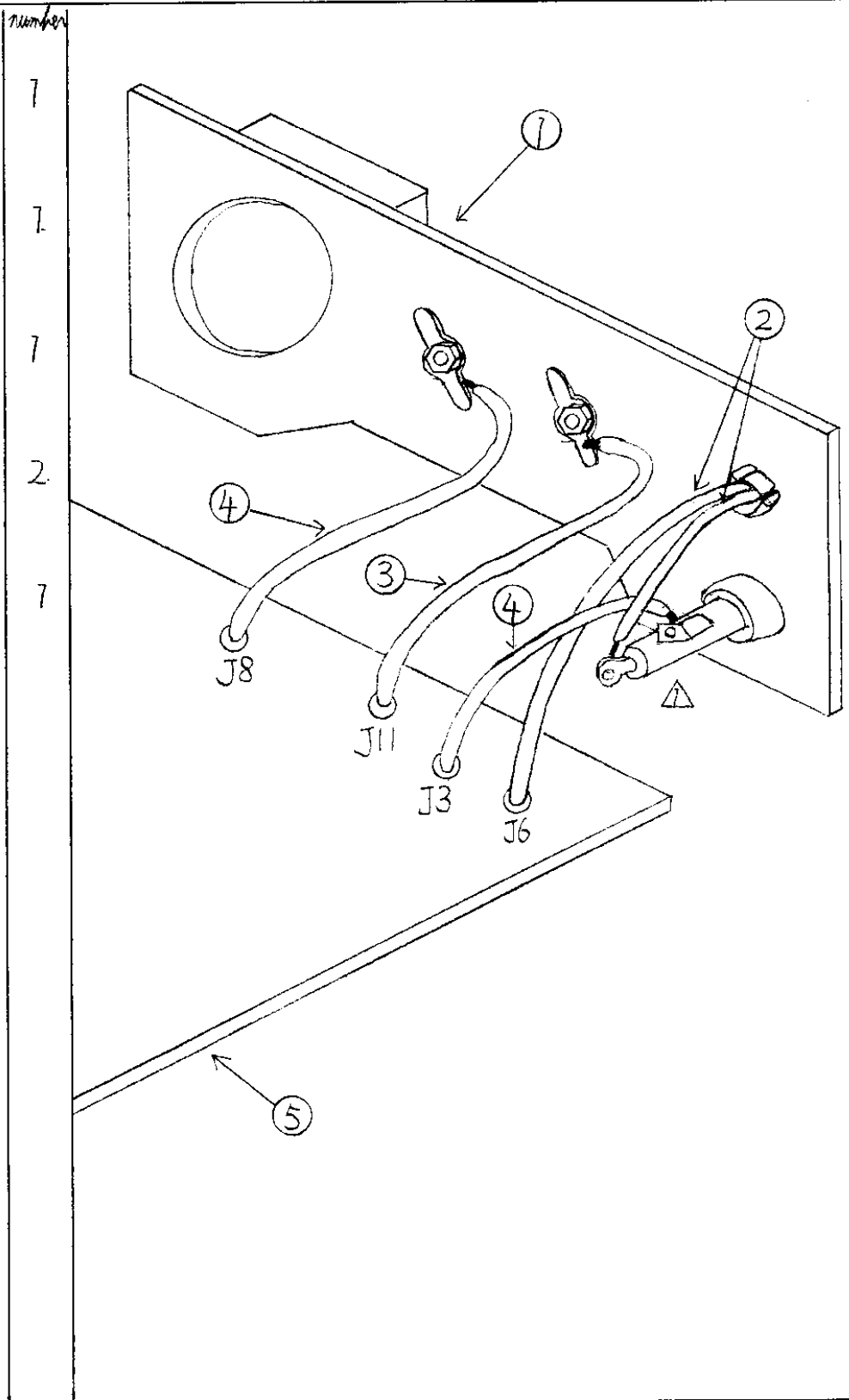
LED, ボリュームの位置  
をあわせて取り付け  
ること。

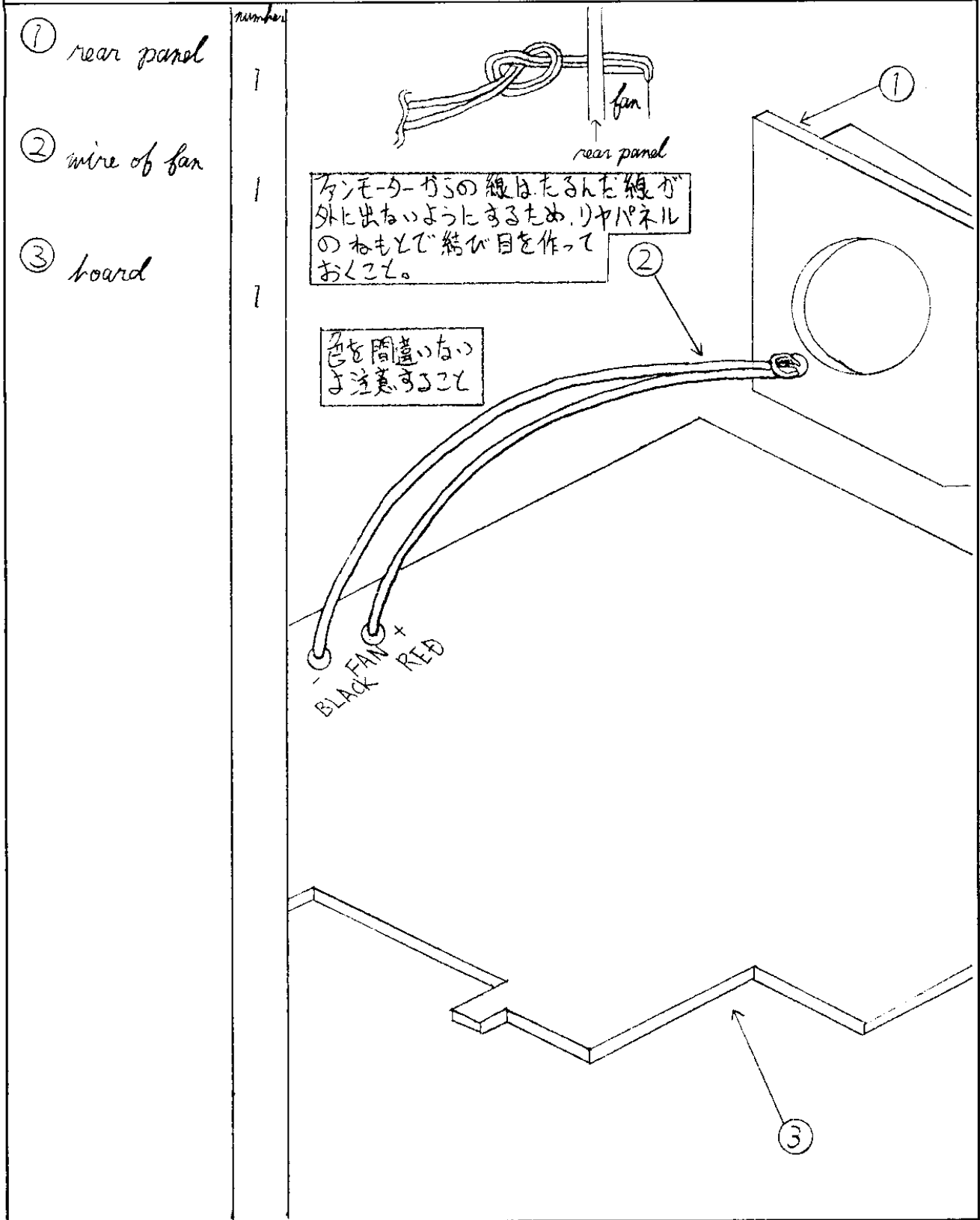


向きを図と同じように  
あわせること。

Rear side への Wire の取り付け

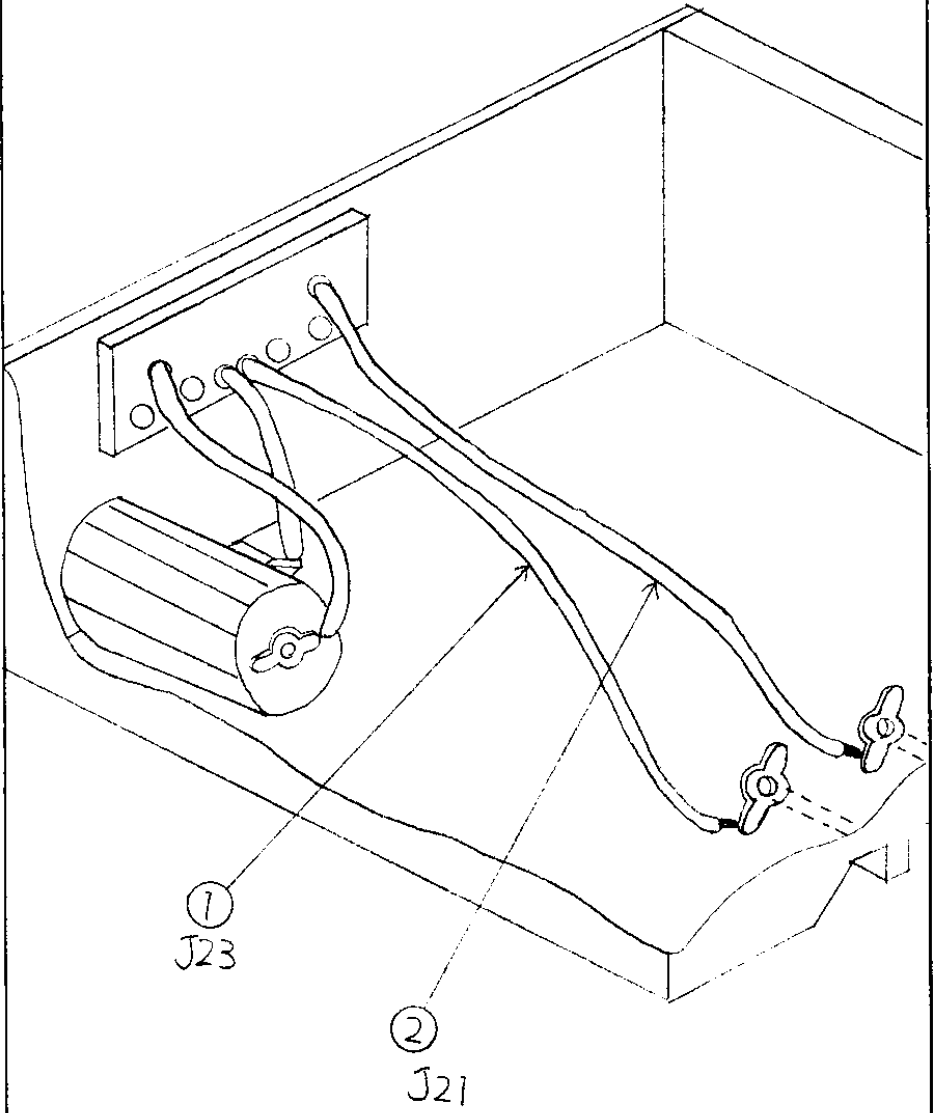
- ① rear panel
- ② cable TA-27B
- ③ wire black  
J11  
(MBBD07DD)
- ④ wire red  
J3, J8  
(MRBD07DD)
- ⑤ board





Wire の取り付け

- |                     | number |
|---------------------|--------|
| ① wire black<br>J23 | 1      |
| ② wire red<br>J21   | 1      |

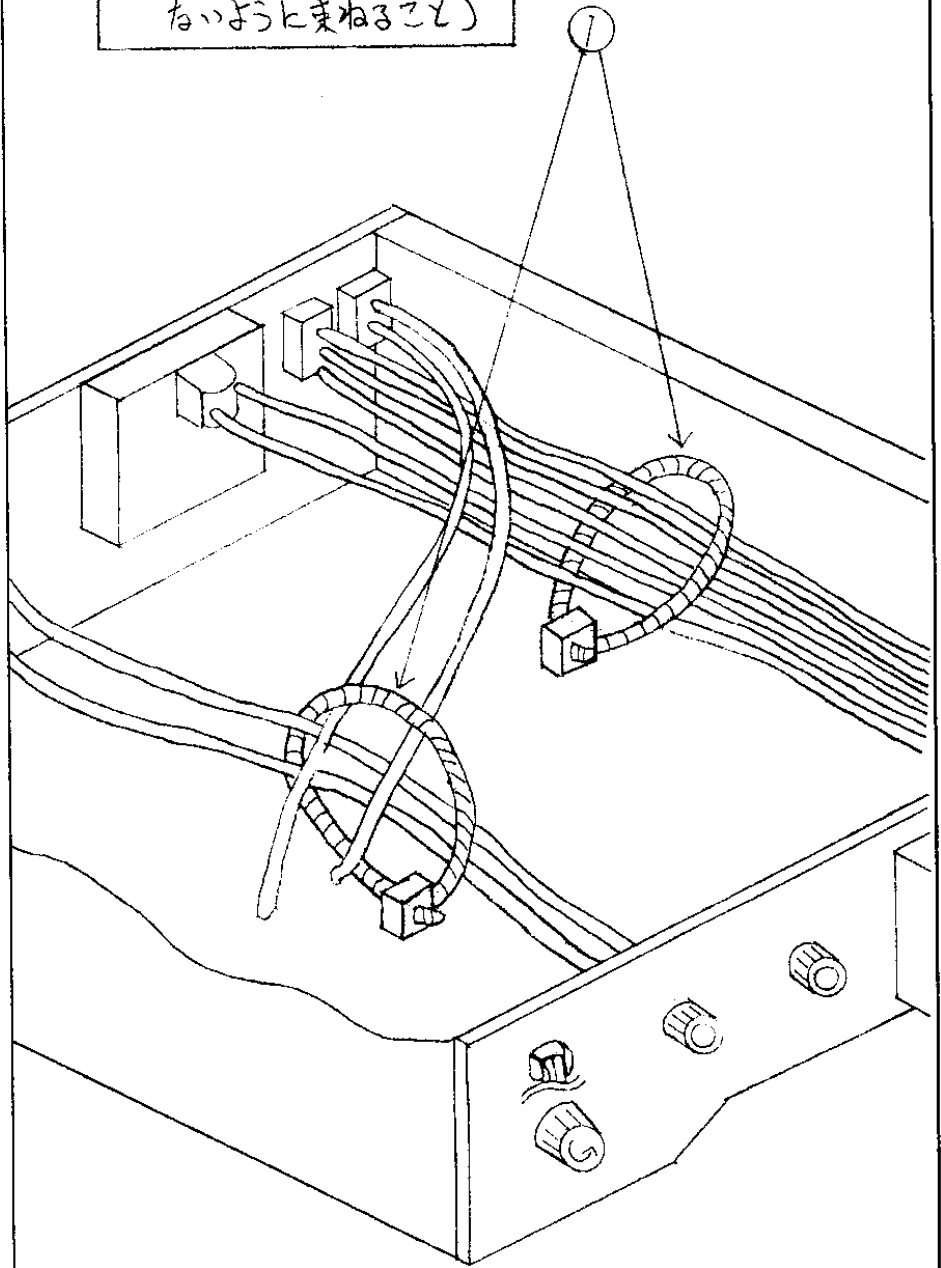


# Wire を束ねる

① bind  
SG100  
(FP0004)

number  
2

線材をインシュロックタイで束ねて2カ所にまとめる。  
(できるだけ高温になる部品にあたらぬようにする)  
(又、ファンの羽に線があたらぬように束ねること)

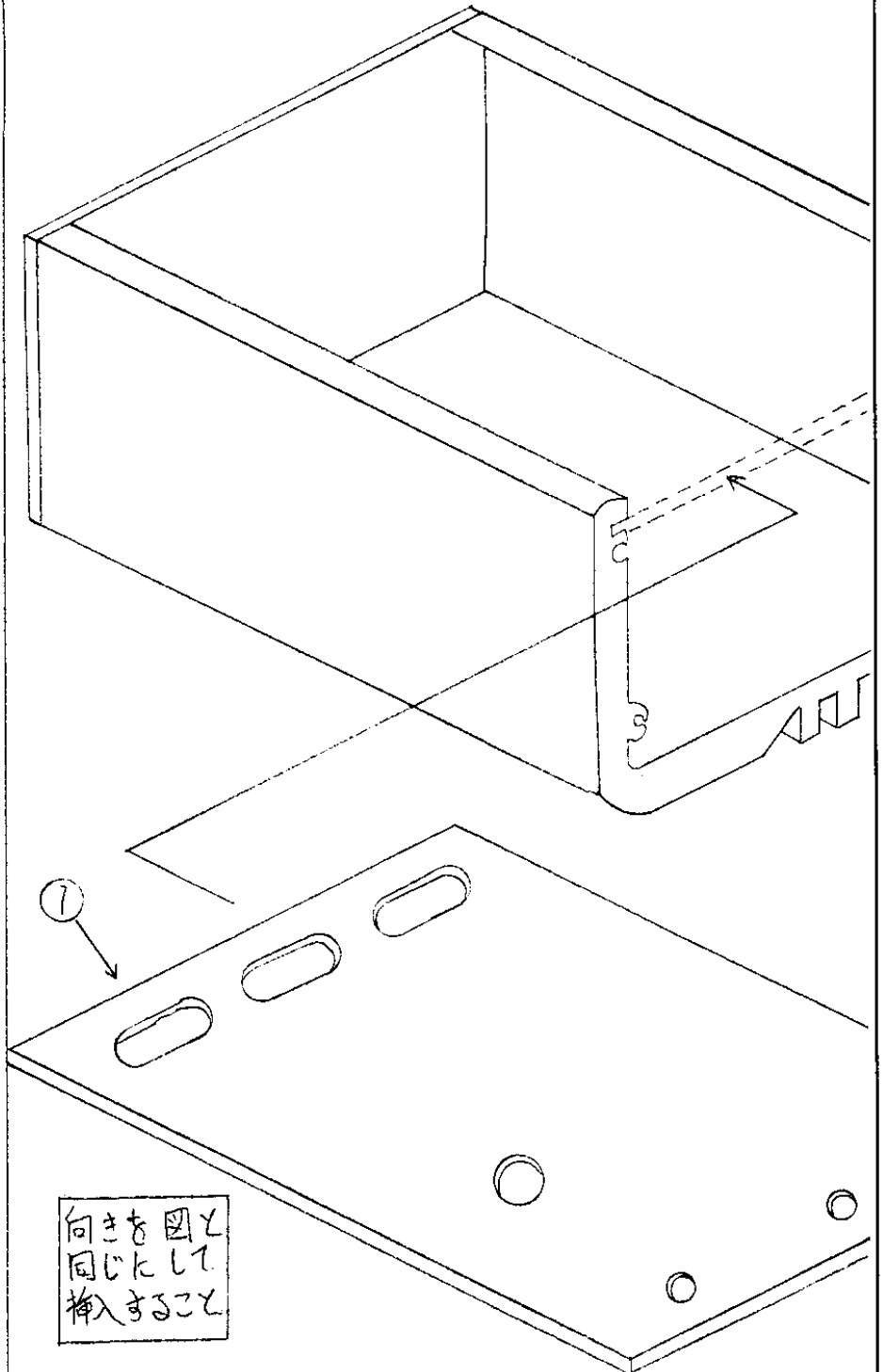


Bottom Case の取り付け

① bottom case  
(KS0063A)

number

1

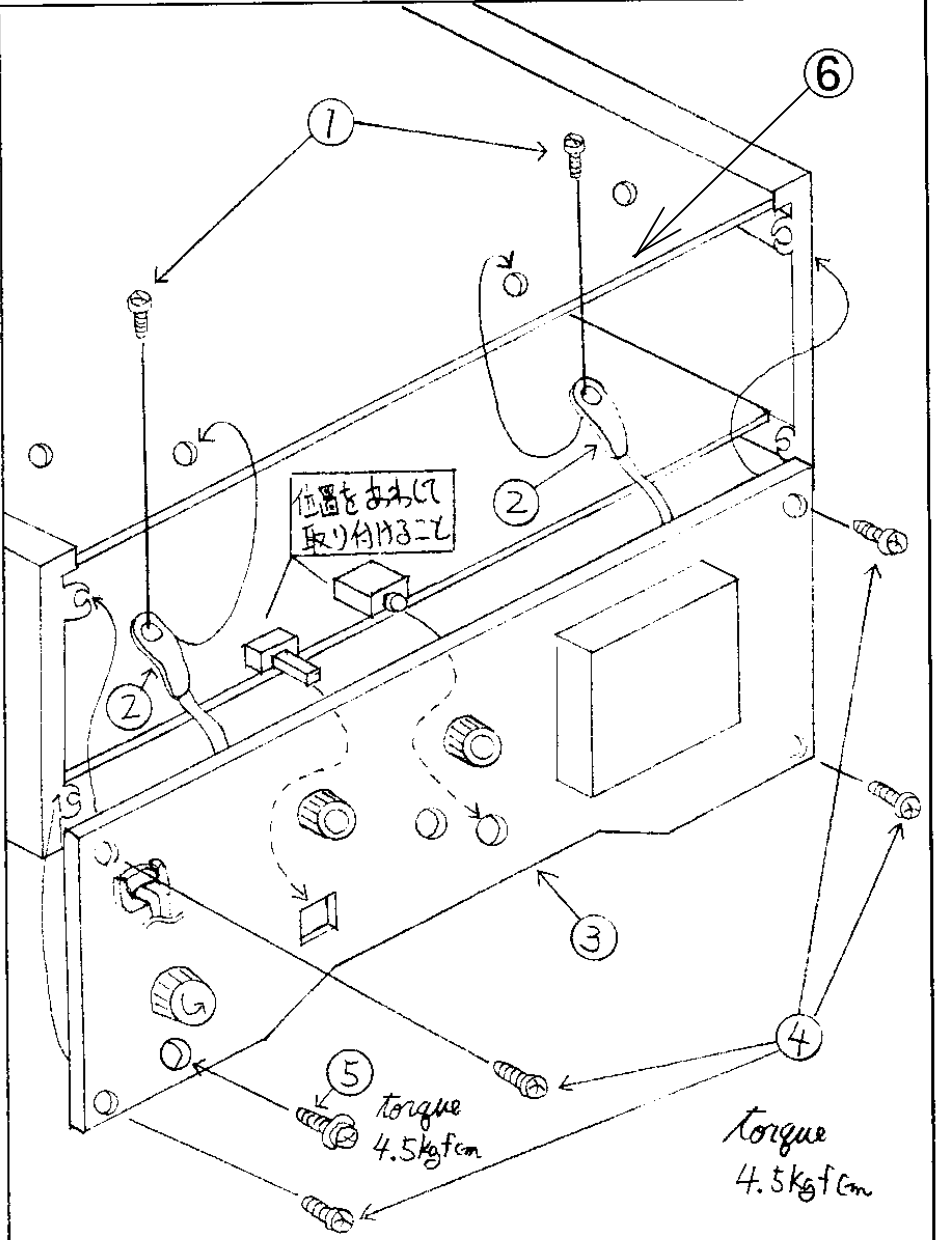


向きを図と  
同じにして  
挿入すること

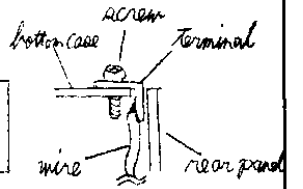


# Rear Panel の取り付け

- | Number | Description                                   |
|--------|---|
| ①      | screw<br>XYN3+F6<br>(AD0004)                  |
| ②      | terminal                                      |
| ③      | rear panel                                    |
| ④      | screw<br>△ M3+6 $\frac{3}{4}$ BC<br>(AA0018Y) |
| ⑤      | screw<br>XYN4+F10<br>(AD0005)                 |
| ⑥      | BOTTOM CASE<br>(KS0063A)                      |

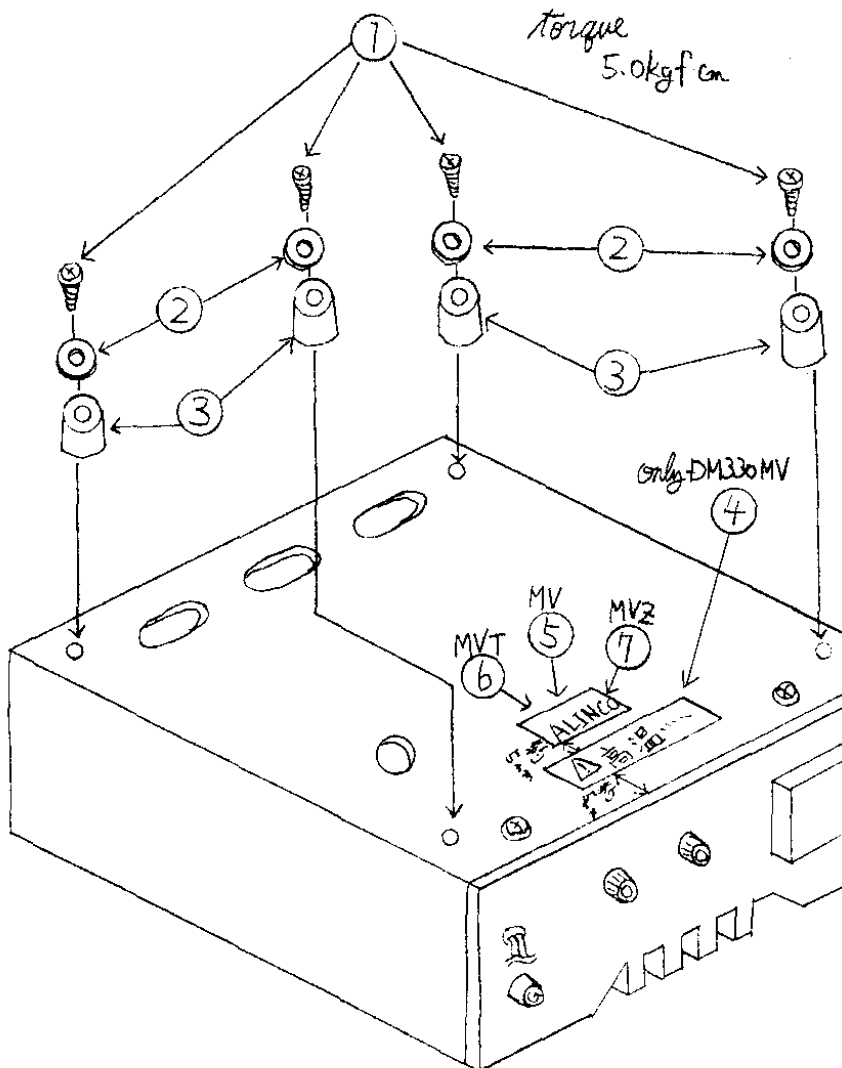


②の端子は右図のように  
取り付けると

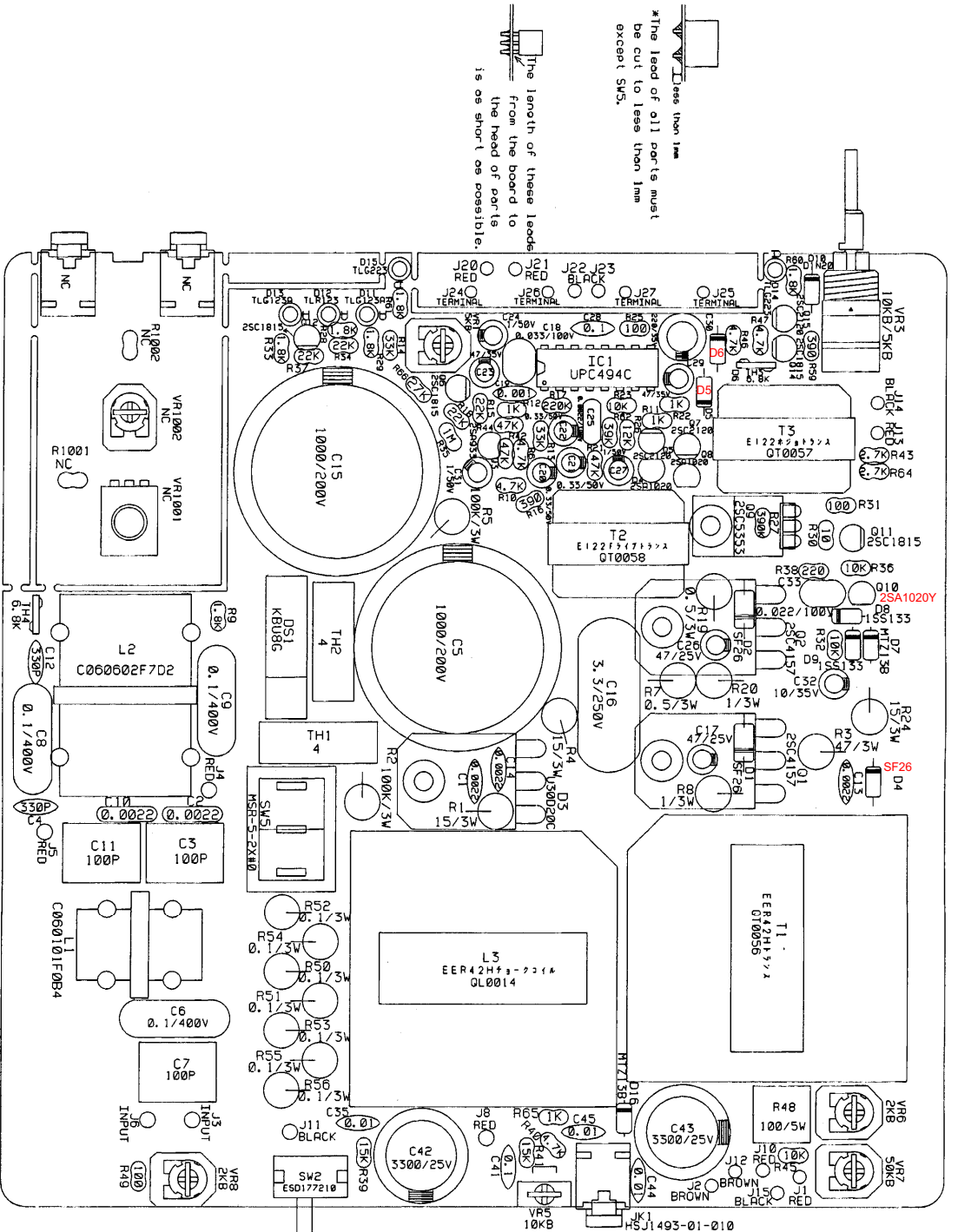


# Seal and Rubber foot の取り付け

- | number |   |
|--------|---|
| ①      | screw<br>△ XTB3+8BFZ (AJ0007Y)                |
| ②      | washer<br>XWE3FZ (AZ0039)                     |
| ③      | rubber foot<br>(DF0001)                       |
| ④      | DM330MV<br>Caution seal<br>(PR0386)           |
| ⑤      | DM330MV<br>Seal<br>テイクシート 330MV<br>(DS0413)   |
| ⑥      | DM330MVT<br>seal<br>テイクシート 330MVT<br>(DS0417) |
| ⑦      | DM330MVZ<br>seal<br>テイクシート 330MVZ             |

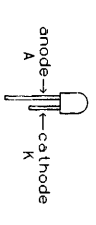


④, ⑤ のテイクシール, CAUTION シールは、  
文字の向きを固くあわせて約5mm 間隔  
で貼り付けること。



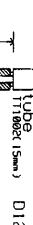
Close than 1mm  
 \*The lead of all parts must be cut to less than 1mm except SMS.

The length of these leads from the board to the head of parts is as short as possible.

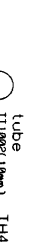


Tube (1mm) D11, D13, D14, D15

Put the tube (1mm) on to the lead of the parts before installing it to the board. Please be careful about the polarity of diode.



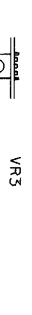
Tube (1mm) D12  
 Put the tube (1mm) on to the lead of the parts before installing it to the board. Please be careful about the polarity of diode.



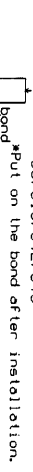
Tube (1mm) TH4  
 Put the tube (1mm) on to the lead of the parts before installing it to the board.



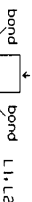
DS1  
 Put bond on both side of DS1 after installation.



VR3  
 \*Install VR3 in B side.



C5, C15, C42, C43  
 Put on the bond after installation.

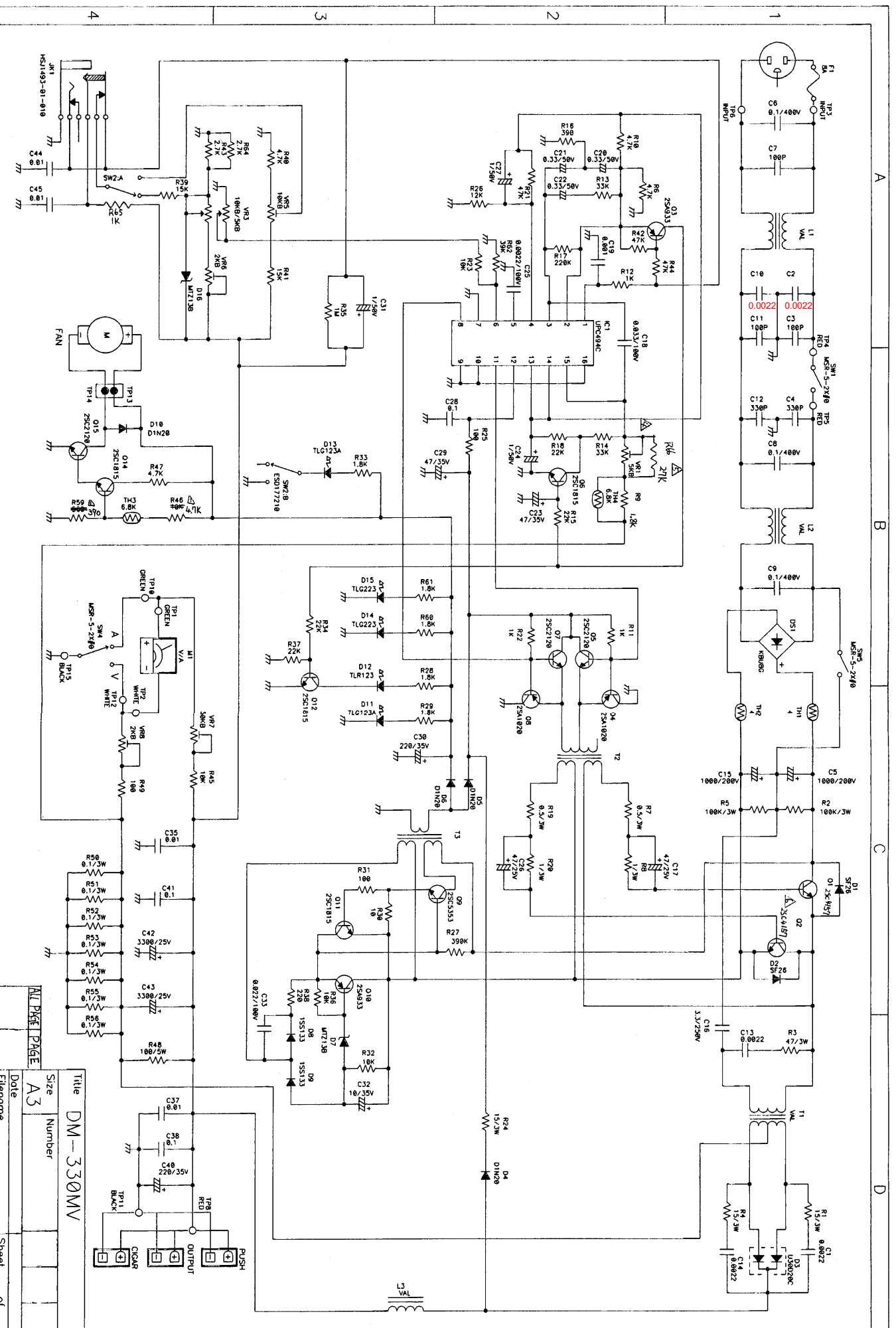


L1, L2  
 Put on the bond before installation.

\*Install 01, 02, 09 and D3 during assembly.

指示寸法部分ノ寸法公差	
材料	
設計	
年月日	
改正内容	
印	

外装	編数	機種
設計	UP0380A	DM330MV/MV7/MVZ
作図	UP0380A	
照査	UP0380A	
認可	UP0380A	
図番	UP0380A	
図番	UP0380A	



ALL PAGES PAGE

Title: DM-330W  
 Size: A3  
 Number: 3  
 Date: \_\_\_\_\_  
 Filename: \_\_\_\_\_  
 Sheet: \_\_\_\_\_ of \_\_\_\_\_

# Adjustment

ALL PAGE

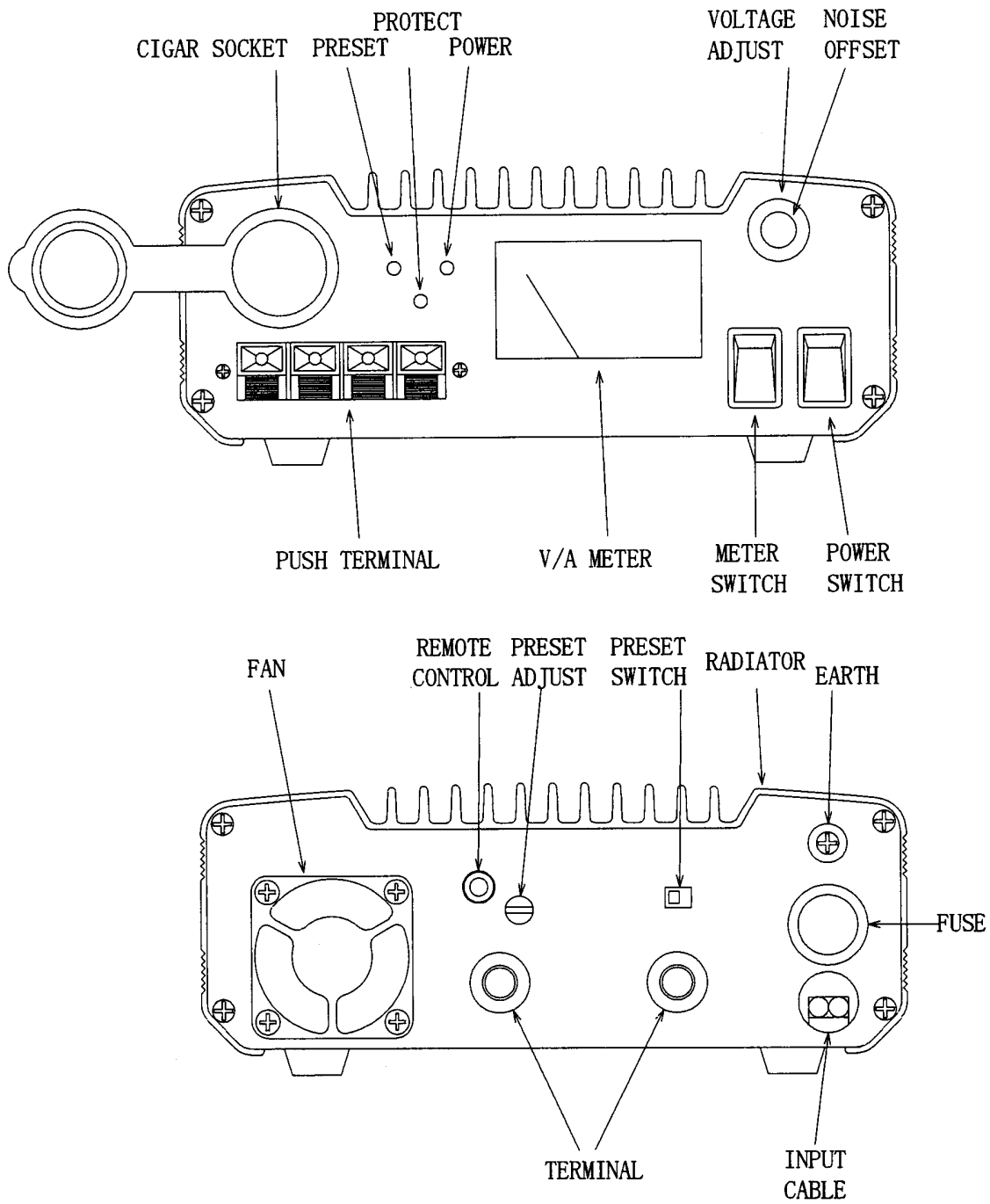
JOB

PAGE

機種

DM 3 3 0 MV

1 / 6



Testing Adjustment Summary	ALL PAGE	JOB	PAGE
		機種 DM330MV	5-3 6

Supplementary explanation about Over Current Protection Circuit:

When doing the adjustment of over current protection circuit, please always do it with the radiation case's temperature similar to the room temperature. (Please always do the testing of the load first among the testing.)

Same with the load and the others, do not do the adjustment when the radiation case is hot. If you adjust the protection circuit with the radiation case in hot condition, then the adjusted value will become high current when the condition is normal. With this, there would always be a fear that the switching transistor will break.

After repairing, please wait until the temperature of radiation case becomes Normal. Please always adjust in the location that makes the output voltage lowered by approximately 0.3 V when the condition takes 33 A load.

( Please don't do the adjustment taking more than 33 A load. )

When the adjustment is finished, increase the load and check if the current is still within 33 A.

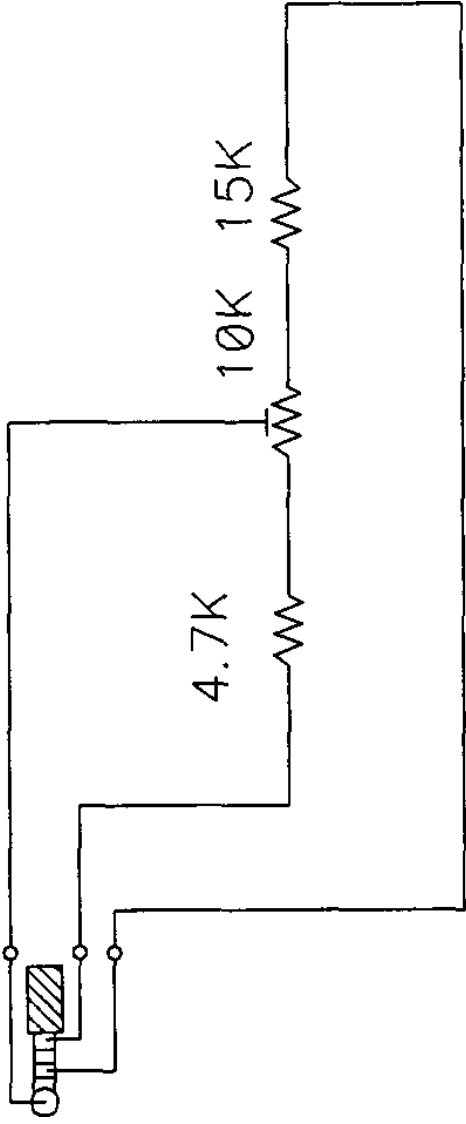
Supplementary explanation about switching Input Voltage Switch ( SW 5 ):

Please always check the location of SW 5 before including the power supply in the manufactured products. DM330MV and DM330MVT should be in 100 V side, and DM330MVZ should be in 220 V side. If in case SW 5 of DM330MVZ ( Input 220 V ) is mistakenly switched to 100 V side, then C5 and C15 will be over pressure, and the fuse will break due to the increase of leak current.

In this case, fuse must be change, and please also change C5 and C15 ( 1000 / 200 V ). On the other hand, if in case SW 5 of DM330MV and DM330MVT ( Input 100 V and 120 V respectively ) is mistakenly switched to 220 V side, then desired output will not be outputted. Please turn the power supply off and switch SW 5 to 100 V side.

( If every components are seem ok, therefore, there is no need to change any part ).

発行年月日	承認	承認	検印	担当	図番	改訂記号
199.8.12.						



# DM330MV/MVT/MVZ Parts List

## ELECTRIC PARTS

				Model / Q.ty		
Reference No.	Part No.(ALINCO)	Part Name	Part Item (Value)	DM330MV	DM330MVT	DM330MVZ
	UP0380A	DM330MV INTEGRATED	PCB	1	1	1
	TT1002	TUBE 1.0 1MM#	TUBE	122	122	122
C1	CK0013	DE0705-1E222Z1K	0.0022	1	1	1
C10	CK0013	DE0705-1E222Z1K	0.0022	1	1	1
C11	CC6006	DE0910-1B101K-KX	100P	1	1	1
C12	CC6003	DE0405-1B331K1K	330P	1	1	1
C13	CK0013	DE0705-1E222Z1K	0.0022	1	1	1
C14	CK0013	DE0705-1E222Z1K	0.0022	1	1	1
C15	CE0399	200PL1000FZD	1000/200V	1	1	1
C16	CQ0014	ECQE2335JF	3.3/250V	1	1	1
C17	CE0401	25MV47AX	47/25V	1	1	1
C18	CQ0016	ECQB1333JF	0.033/100V	1	1	1
C19	CK0003	DD104-63B102K50	0.001	1	1	1
C2	CK0013	DE0705-1E222Z1K	0.0022	1	1	1
C20	CE0402	50MVR33SWN	0.33/50V	1	1	1
C21	CE0402	50MVR33SWN	0.33/50V	1	1	1
C22	CE0402	50MVR33SWN	0.33/50V	1	1	1
C23	CE0400	35MV47HC	47/35V	1	1	1
C24	CE0007	50MV 1HC	1/50V	1	1	1
C25	CQ0015	ECQB1222JF	0.0022/100V	1	1	1
C26	CE0401	25MV47AX	47/25V	1	1	1
C27	CE0007	50MV 1HC	1/50V	1	1	1
C28	CK0005	DD308-63F104Z50	0.1	1	1	1
C29	CE0400	35MV47HC	47/35V	1	1	1
C3	CC6006	DE0910-1B101K-KX	100P	1	1	1
C30	CE0019	35MV 220HC	220/35V	1	1	1
C31	CE0007	50MV 1HC	1/50V	1	1	1
C32	CE0053	35MV 10HC	10/35V	1	1	1



C33	CQ0013	ECQB1223JF	0.022/100V		1	1	1
C35	CK0002	DD106-63F103Z50	0.01		1	1	1
C37	CK0002	DD106-63F103Z50	0.01		1	1	1
C38	CK0005	DD308-63F104Z50	0.1		1	1	1
C4	CC6003	DE0405-1B331K1K	330P		1	1	1
C40	CE0388	ECA1VM221	220/35V		1	1	1
C41	CK0005	DD308-63F104Z50	0.1		1	1	1
C42	CE0398	25MV3300AX	3300/25V		1	1	1
C43	CE0398	25MV3300AX	3300/25V		1	1	1
C44	CK0002	DD106-63F103Z50	0.01		1	1	1
C45	CK0002	DD106-63F103Z50	0.01		1	1	1
C5	CE0399	200PL1000FZD	1000/200V		1	1	1
C6	CQ0012	ECQE2A104JF	0.1/250V		1	1	1
C7	CC6006	DE0910-1B101K-KX	100P		1	1	1
C8	CQ0012	ECQE2A104JF	0.1/250V		1	1	1
C9	CQ0012	ECQE2A104JF	0.1/250V		1	1	1
D1	XD0335	SF26	SF26		1	1	1
D10	XD0327	D1N60-4070	D1N20		1	1	1
D11	XL0092	MPG3338S	MPG3338S		1	1	1
D12	XL0099	MPR3338S	MPR3338S		1	1	1
D13	XL0092	MPG3338S	MPG3338S		1	1	1
D14	XL0100	MPG4361F	MPG4361F		1	1	1
D15	XL0100	MPG4361F	MPG4361F		1	1	1
D16	XD0336	MTZJ13B	MTZJ13B		1	1	1
D2	XD0335	SF26	SF26		1	1	1
D3	XD0333	U30D20C	U30D20C		1	1	1
D4	XD0335	SF26	SF26		1	1	1
D5	XD0335	SF26	SF26		1	1	1
D6	XD0335	SF26	SF26		1	1	1
D7	XD0336	MTZJ13B	MTZJ13B		1	1	1
D8	XD0038	1SS133	1SS133		1	1	1
D9	XD0038	1SS133	1SS133		1	1	1
DS1	XD0334	KBU804G	KBU8G		1	1	1
F1	EF0019	FGBO 250V 4A	4A		1	1	0
F1	EF0001	FGBO 125V 8A	8A		0	0	1
FA1	ET0012	FAN FD2440107S-1N	FAN FD2440107S		1	1	1
IC1	XA0634	UPC494C	UPC494C		1	1	1

J1	MGAJ22CC	WIRE #26G05-220-05	GREEN	1	1	1
J10	MRAJ07CC	WIRE #26R05-070-05	RED	1	1	1
J11	MBBD07DD	WIRE #16B07-070-07	BLACK	1	1	1
J12	MYAJ07CC	WIRE #26Y05-070-05	YELLOW	1	1	1
J15	MBAJ22CC	WIRE #26B05-220-05	BLACK	1	1	1
J2	MWAJ22CC	WIRE #26W05-220-05	WHITE	1	1	1
J20	MRBD22DD	WIRE #16R07-220-07	RED	1	1	1
J21	MRBD07DD	WIRE #16R07-070-07	RED	1	1	1
J22	MBBD22DD	WIRE #16B07-220-07	BLACK	1	1	1
J23	MBBD07DD	WIRE #16B07-070-07	BLACK	1	1	1
J3	MRBD07DD	WIRE #16R07-070-07	RED	1	1	1
J30	MBBD04CC	WIRE #16B05-040-05	BLACK	1	1	1
J31	MBBD04CC	WIRE #16B05-040-05	BLACK	1	1	1
J4	UX1263	WIRE SW1	UX1263	1	1	1
J5	UX1263	WIRE SW1	UX1263	1	1	1
J6	UA0071Z	KP419SLTCE-2F0.75SQ	KP419SL	1	0	0
J6	UA0070	120V PHP-201	120V PHP-201	0	1	0
J6	UA0069	TA-27B 12A-125V	TA-27B 12A-125V	0	0	1
J8	MRBD07DD	WIRE #16R07-070-07	RED	1	1	1
JK1	UJ0019	HSJ1493-01-010	HSJ1493-01-010	1	1	1
L1	QL0016	C060101F0B4	VAL	1	1	1
L2	QL0015	C060602F7D2	VAL	1	1	1
L3	QL0014	EER42H CHOKE COILK	EER42H CHOKE COILK	1	1	1
M1	EM0038	EM0038 (P-55L-9177)	V/A	1	1	1
Q1	XT0179	2SC4157	2SC4157	1	1	1
Q10	XT0167	2SA1020Y	2SA1020	1	1	1
Q11	XT0006	2SC1815Y	2SC1815	1	1	1
Q12	XT0006	2SC1815Y	2SC1815	1	1	1
Q14	XT0006	2SC1815Y	2SC1815	1	1	1
Q15	XT0004	2SC2120Y	2SC2120	1	1	1
Q2	XT0179	2SC4157	2SC4157	1	1	1
Q3	XT0169	2SA933ASTPR	2SA933	1	1	1
Q4	XT0167	2SA1020Y	2SA1020	1	1	1
Q5	XT0004	2SC2120Y	2SC2120	1	1	1
Q6	XT0006	2SC1815Y	2SC1815	1	1	1
Q7	XT0004	2SC2120Y	2SC2120	1	1	1
Q8	XT0167	2SA1020Y	2SA1020	1	1	1

Q9	XT0177	2SC5353	2SC5353	1	1	1
R1	RE0028	SPRX3 15	15/3W	1	1	1
R10	RD0045	RD16S 4.7K OHM J	4.7K	1	1	1
R11	RD0035	RD16S 1.0K OHM J	1K	1	1	1
R12	RD0035	RD16S 1.0K OHM J	1K	1	1	1
R13	RD0059	RD16S 33K OHM J	33K	1	1	1
R14	RD0059	RD16S 33K OHM J	33K	1	1	1
R15	RD0056	RD16S 22K OHM J	22K	1	1	1
R16	RD0027	RD16S 390 OHM J	390	1	1	1
R17	RD0073	RD16S 220K OHM J	220K	1	1	1
R18	RD0056	RD16S 22K OHM J	22K	1	1	1
R19	RE0030	SPRX3 0R5	0.5/3W	1	1	1
R2	RE0026	SPRX3 100K	100K/3W	1	1	1
R20	RE0029	SPRX3 1	1/3W	1	1	1
R21	RD0062	RD16S 47K OHM J	47K	1	1	1
R22	RD0035	RD16S 1.0K OHM J	1K	1	1	1
R23	RD0052	RD16S 10K OHM J	10K	1	1	1
R24	RE0027	SPRX3 47	47/3W	1	1	1
R25	RD0018	RD16S 100 OHM J	100	1	1	1
R26	RD0053	RD16S 12K OHM J	12K	1	1	1
R27	RD0078	RD16S 390K OHM J	390K	1	1	1
R28	RD0038	RD16S 1.8K OHM J	1.8K	1	1	1
R29	RD0038	RD16S 1.8K OHM J	1.8K	1	1	1
R3	RE0027	SPRX3 47	47/3W	1	1	1
R30	RD0001	RD16S 10 OHM J	10	1	1	1
R31	RD0018	RD16S 100 OHM J	100	1	1	1
R32	RD0052	RD16S 10K OHM J	10K	1	1	1
R33	RD0038	RD16S 1.8K OHM J	1.8K	1	1	1
R34	RD0056	RD16S 22K OHM J	22K	1	1	1
R35	RD0086	RD16S 1.0M OHM J	1M	1	1	1
R36	RD0052	RD16S 10K OHM J	10K	1	1	1
R37	RD0056	RD16S 22K OHM J	22K	1	1	1
R38	RD0022	RD16S 220 OHM J	220	1	1	1
R39	RD0054	RD16S 15K OHM J	15K	1	1	1
R4	RE0028	SPRX3 15	15/3W	1	1	1
R40	RD0045	RD16S 4.7K OHM J	4.7K	1	1	1
R41	RD0054	RD16S 15K OHM J	15K	1	1	1

R42	RD0062	RD16S 47K OHM J	47K	1	1	1
R43	RD0039	RD16S 2.2K OHM J	2.2K	1	1	1
R44	RD0062	RD16S 47K OHM J	47K	1	1	1
R45	RD0052	RD16S 10K OHM J	10K	1	1	1
R46	RD0043	RD16S 3.6K OHM J	3.6K	1	1	1
R47	RD0045	RD16S 4.7K OHM J	4.7K	1	1	1
R48	RE0025	RQA5W 100 OHM L=35MM	100/5W	1	1	1
R49	RD0018	RD16S 100 OHM J	100	1	1	1
R5	RE0026	SPRX3 100K	100K/3W	1	1	1
R50	RE0024	SPRX3 0R1	0.1/3W	1	1	1
R51	RE0024	SPRX3 0R1	0.1/3W	1	1	1
R52	RE0024	SPRX3 0R1	0.1/3W	1	1	1
R53	RE0024	SPRX3 0R1	0.1/3W	1	1	1
R54	RE0024	SPRX3 0R1	0.1/3W	1	1	1
R55	RE0024	SPRX3 0R1	0.1/3W	1	1	1
R56	RE0024	SPRX3 0R1	0.1/3W	1	1	1
R59	RD0027	RD16S 390 OHM J	390	1	1	1
R6	RD0045	RD16S 4.7K OHM J	4.7K	1	1	1
R60	RD0038	RD16S 1.8K OHM J	1.8K	1	1	1
R61	RD0038	RD16S 1.8K OHM J	1.8K	1	1	1
R62	RD0061	RD16S 39K OHM J	39K	1	1	1
R64	RD0039	RD16S 2.2K OHM J	2.2K	1	1	1
R65	RD0035	RD16S 1.0K OHM J	1K	1	1	1
R66	RD0057	RD16S 27K OHM J	27K	1	1	1
R7	RE0030	SPRX3 0R5	0.5/3W	1	1	1
R8	RE0029	SPRX3 1	1/3W	1	1	1
R9	RD0040	RD16S 2.7K OHM J	2.7K	1	1	1
SW1	UG0026	MSR-5-2X#0	MSR-5-2X#0	1	1	1
SW2	US0023	ESD177210	ESD177210	1	1	1
SW4	UG0026	MSR-5-2X#0	MSR-5-2X#0	1	1	1
SW5	UG0026	MSR-5-2X#0	MSR-5-2X#0	1	1	1
T1	QT0056	EER42H TRANS	EER42H TRANS	1	1	1
T2	QT0058	EI22 TRANS	EI22 TRANS	1	1	1
T3	QT0057	EI22 TRANS	EI22 TRANS	1	1	1
TH1	XS0041	NTH18D4R0LA	4	1	1	1
TH2	XS0041	NTH18D4R0LA	4	1	1	1
TH3	XS0042	ERTD2FHK802S	8.2K	1	1	1

TH4	XS0042	ERTD2FHK802S	8.2K	1	1	1
VR1	RH0039	807M B5K	5KB	1	1	1
VR3	RV0043	RK0972210(10KB/5KB)	10KB/5KB	1	1	1
VR5	RH0176	VZ084TH1B-B103	10KB	1	1	1
VR6	RH0034	807M B2K	2KB	1	1	1
VR7	RH0035	807M B50K	50KB	1	1	1
VR8	RH0034	807M B2K	2KB	1	1	1

AA0073Y	コバ`イ`ム2.3+16`ツ BC	PUSH-T SCREW	2	2	2
AB0007	XYN26+C8	PCB SCREW	6	6	6
AB0024Y	ナ`セム`ム2.6*10`ツ BC	TR SCREW	4	4	4
AD0004	XYN3+F6	EARTH SCREW	2	2	2
AD0005	XYN4+F10	EARTH SCREW	1	1	1
AJ0007Y	XTB3*8 BFZ	BOTTOM-RUB SCREW	4	4	4
AN0010	XNG3A	FAN NUT	1	1	1
AN0028Y	6`カ`ナ`ットM2.3`ツ`ク`ロ`メ`ト	PUSH-T SCREW	2	2	2
AT0003	ラ`グ`タ`ン`シ`A-5	CIGAR TERMINAL	4	4	4
AW0007Y	Wナ`ハ` M3+6`ツ`ク`BC	FAN SCREW	3	3	3
AW0008	XYN3+J20FZ	FAN SCREW	1	1	1
AZ0017	XWG4FN	WASHER	3	3	3
AZ0036Y	ス`リ`ン`ク`WM2.3`ツ`ク`ロ`メ`ト	PUSH-T WASHER	2	2	2
AZ0039	XWE3FZ	BOTTOM-R WASHER	4	4	4
DF0001	RUBBER FOOT	BOTTOM RUBBER	4	4	4
DS0446	NITTO MODEL PLATE(S)	NAMEPLATE	1	1	1
FB0002	SR4N4	CODE BUSH	1	0	0
FB0017	SR-4K1	CODE BUSH	0	1	1
FP0004	SG100	BIND	2	2	2
HK0469	ケ`シ`ョ`ウ`バ``コ` DM330MV	PACKGE	1	1	1
HM0185	CARTON 2 PCS DT830M	2PCS PACKEGE	1	1	1
HP0039	65X250X400	PLASTIC BAG	1	1	1
HU0141	ウ`チ`ア`テ`A` DT830M	INNER SHEET	1	1	1
HU0144	INNER 2 PCS DT830M	INNER SHEET	1	1	1
KB0075B	REAR PANEL DM330MV	REAR PANEL	1	1	0
KB0078A	REAR PANEL DM330MVZ	REAR PANEL	0	0	1
KM0247	フ`ロ`ン`ト`パ`ネ`ル` DM330MV	FRONT PANEL	1	1	1
KS0063A	BOTTOM CASE DT830M	BOTTOM CASE	1	1	1
KU0128A	ケ-`ス` DM330MV	UPPER CASE	1	1	1
NK0043	VOL ッ`マ`ミ` XM601	NOISE-OFF VOL	1	1	1
NK0044	SQL ッ`マ`ミ` XM601	VOLTAGE VOL	1	1	1
PR0328	フ`ィ`リ`ビ`ン`ク`ミ`タ`テ`シ`-`ル`	STICKER	1	1	1
PR0386	CAUTION PL DT715B	CAUTION STICKER	1	0	0
PR0418	JAN CODE DM330MV	BAR-CODE STICKER	1	0	0
PR0426	CAUTION STICKER	CAUTION STICKER	0	1	1
PR0514	EPSON 10X49 LABEL(W)	LOT NO. SEAL	2	2	2
PS0316A	INSTRUCTION DM330MV	INSTRUCTON	1	1	1

	TZ0077	COOL SHEET DM330MV	HEAT SHEET	3	3	3
	UH0020	フューズホルダ - CQ-207H	FUSE HOLDER	1	1	1
	UT0047	CJ-9012	PUSH TERMINAL	1	1	1
	UT0048	YE-2305-1R	MAIN TERMINAL RED	1	1	1
	UT0049	YE-2305-1B	BLACK	1	1	1
	UY0006	YE-2113	CIGAR TERMINAL	1	1	1