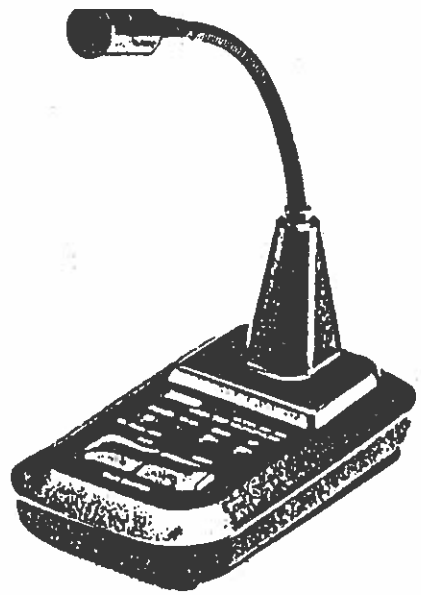


BUILT-IN.

- * HIGHLY SENSITIVE CONDENSOR MICROPHONE AND FLEXIBLE GOOSENECK EMPLOYED.
- * VOICE QUALITY SELECTOR SWITCH FOR FM/SSB.
- * EQUIPPED WITH ELECTRONIC TOUCH SWITCH FOR PTT OPERATION. (WITH LED TX INDICATOR)
- * PROVIDED WITH UP AND DOWN SWITCHES



SPECIFICATIONS:

- Microphone : Wideband Electret Condensator Mic. with IC Built-In.
- IC : 1 piece
- Transistor : 7 pieces
- Diode : 5 pieces
- Output Voltage : 1 - 30mV (RMS)
- Output Impedance : 500 - 100K ohms
- Power Source : UM3 x 2
- Power Consumption: 1.5mA(RX) 2.5mA(TX)
- Dimensions (mm) : 100(W)x155(D)x35(H)
- Weight : 450 g

CONTROLS:

① POWER SWITCH :

Push it for power "ON", then, the "ON AIR" indicator ② starts to flash. Push it again for the power "OFF".

② ON AIR INDICATOR (LED TX INDICATOR):

Set the power switch to "ON" then, LED ② flashes to indicate the RX condition. The LED ② lights up continuously when transmitting.

③ PTT SWITCH :

Use it for short time QSO. Push it for TX and release for RX. Also use it for releasing of "LOCK" switch.

④ LOCK SWITCH :

Use it for long time QSO. When pushing the LED "ON AIR" indicator lights up continuously. For receiving, push the PTT Switch ③.

⑤ UP/DOWN SWITCHES:

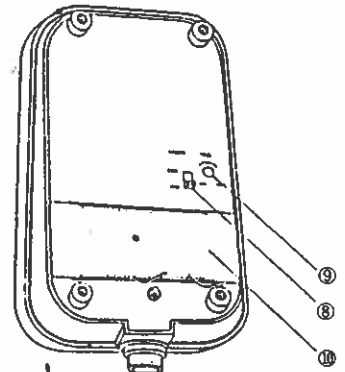
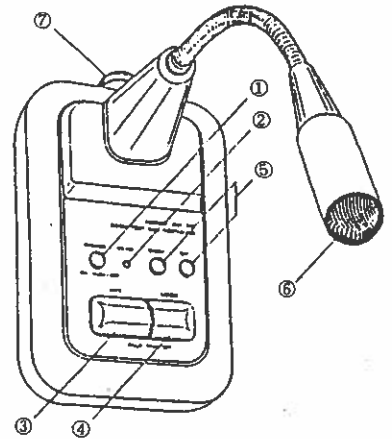
Use these switches for frequency up and down. For details, please refer to the manual of transceiver.

⑥ MICROPHONE :

The high-sensitivity Electret Condensator microphone is applied for clear voice quality.

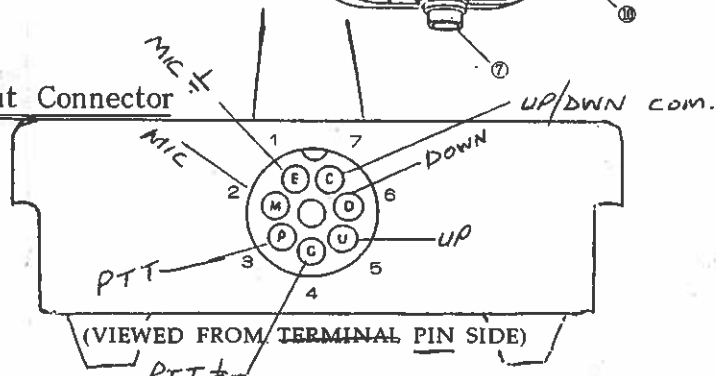
⑦ MIC. OUTPUT CONNECTOR

* Please use the suitable interconnecting cable separately available.



The Pin Connection of Microphone Output Connector

- E : MIC. EARTH
- M : MIC.
- P : PRESS TO TALK
- G : PRESS TO TALK (EARTH)
- U : UP
- D : DOWN
- C : U/D COMMON



★ PAINT PIN - BLUE INTO MIC PCB.

The selector switch for microphone output audio quality. When FM mode operation, it produces clear voice quality with wide frequency characteristics and when in SSB mode operation, it produces sharp and clisp voice quality for effective DX'ing.

01162992512

⑨ **OUTPUT ADJUSTING VOLUME :**

This is the adjustment volume for output voltage. It is factory-adjusted to have 10mV RMS output voltage. When you need adjustment, turn the slot of variable resistor with a 3mm wide screw driver slowly and carefully.

Turn it to clockwise for higher output.

⑩ **BATTERY COVER :**

Remove the screws and put the 2 pieces of UM3 batteries into the space correctly. (The batteries are not provided with this microphone.)

CAUTIONS:

- Please be careful about high SWR of antenna and incomplete earthing, since it may cause the trouble of RF Feedback noise depending on coaxial cable layout.
- Please turn the power switch "OFF" after QSO.
- It is better to remove the batteries from microphone when you do not use the microphone over than 3 months.
- Do not place this microphone near high temperature area or under direct sunlight.

● **THE LIST OF MICROPHONE INTERCONNECTING CABLES FOR RADIO AMATEUR TRANSCEIVERS:**

Maker	Number	Applicable Transceiver
ICOM	P-8AP	IC-270A·265·370A·251·351·730·560·290·260·390·505·720A·25·740
	P-84T	IC-551
	P-881	IC-95·120·750·271·371·2600·28·38·741·721·731·2300·1271·26·275·760·375·1200·780·900·2310·228·338·1201·2400·2500
	P-881-11	IC-27·37
	P-81	IC-2N·3N·02N·03N·12N·u2·u3·2G·3G·23·12G·2S·3S
	P-AQS(I)	IC-26·2600
YAesu	P-87Y	FT-230·290·690·730R·790R
	P-88Y	FT-ONE.77·280·680·780·736·102·726·757·767·747
	P-88Y2	FT-270·2700R·770·690mkII·211·711·4700·212·712·2311·790MKII
	P-88Y3	FT-3700·3900·3900
	P-81	FT-203·209·703R·709·727G·204·704·728·2303·23·73
	P-AQS(Y)	FT-3700·3900·3900
KENWOOD	P-84T	TS-130·520·530·830
	P-86T	TR-9000G·9030G·9300·9500G·7700·8400
	P-88T	TS-660·780·930·430·670·711·811·940·440·790·680 TR-7900·7950·50·751·851 TM-201·401·221·421·721·521·231·431·531·701 TW-4000·4100
	P-88T2	TM-211·411
	P-8T3	TH-21·41·401·415·205·215·405·25·45·55 TR-2600·3600
STANDARD	P-87S	C-58·78·88·1100·4100·4800·5800·7800 8800G·7900G·8900G
	P-88S	C-5000·6000·5200
	P-81	C-110·410·111·411·420·120·311·500·150·412·450·112
	P-8S	C-111·411(FIRST LOT ONLY)
	P-AQS(S)	C-5000·6000
CIRFOLK	P-88C	ALD-24 DR-510·570·110·410

● **THE OTHER TYPE OF INTERCONNECTING CABLES:**

P-80	Without 1 connector to be connected to transceiver
P-88J3	3m Extension Cord

Handwritten signature

WATSON WM-318 MICROPHONE LEAD WIRING

1	BROWN	MICROPHONE GROUND
2	YELLOW	P/T
3	RED	P/T GROUND
4	BLUE	UP
5	GREEN	MICROPHONE AUDIO
6	BLACK	UP/DOWN COMMON
7	ORANGE	NO CONNECTION OR VOLTAGE
8	GREY	DOWN